

JAY[®] J3 Back

IMPORTANT CONSUMER INFORMATION

NOTICE: This manual contains important instructions that must be passed on to the user of this product. Please do not remove this manual before delivery to the end user.

SUPPLIER: This manual must be given to the user of this product.

USER: Before using this product, read this entire manual and save for future reference.

WARRANTY REGISTRATION: To validate the warranty on this product, please complete and return the postcard attached to the enclosed instruction and warranty booklet.

Owner's Manual

Respaldo JAY[®] J3

INFORMACIÓN IMPORTANTE PARA EL CONSUMIDOR

AVISO: Este manual contiene instrucciones importantes que deben ser entregadas al usuario de este producto. Por favor no retire este manual antes de la entrega al usuario.

DISTRIBUIDOR: Este manual debe ser entregado al usuario de este producto.

USUARIO: Antes de usar este producto, lea este manual en su totalidad y guárdelo para futura referencia.

REGISTRO DE LA GARANTÍA: Para validar la garantía de este producto, favor de llenar y devolver la tarjeta que se adjunta en el folleto de instrucciones y garantía que se incluye.

Manual de instrucciones

Dossier JAY[®] J3

INFORMATIONS IMPORTANTES DESTINÉES AU CONSOMMATEUR

AVIS : Ce manuel contient des instructions importantes qui doivent être communiquées à l'utilisateur de ce produit. Prière de ne pas le retirer avant livraison.

FOURNISSEUR : Ce manuel doit être remis à l'utilisateur de ce produit.

UTILISATEUR : Avant d'utiliser ce produit, lisez entièrement ce manuel et conservez-le pour référence ultérieure.

ENREGISTREMENT DE LA GARANTIE : pour valider la garantie sur ce produit, merci de compléter et de retourner la carte attachée au guide d'instruction et de garantie.

Manuel d'instructions



ENGLISH

Introduction	4
Maintenance and Cleaning	5
Fitting the Back to the Chair.....	6
Installation	7
Adjustment.....	10
Accessories.....	11
Transit Safety	13
Removal and Replacement.....	15
Warranty	15

ESPAÑOL

Introducción	16
Mantenimiento y Limpieza.....	17
Colocación del Respaldo en la Silla	18
Instalacion.....	19
Adjuste	22
Accesorios.....	23
Seguridad en Transito	25
Retirada y Nueva Colocación.....	27
Garantia.....	27

FRANÇAIS

Introduction	28
Entretien et nettoyage	29
Montage du dossier sur le fauteil	30
Montage	31
Reglage	34
Accessoires.....	35
Sécurité à l'arrière d'un véhicule.....	37
Depose et remise en place	39
Garantie.....	39

Sunrise Medical recommends that a clinician such as a doctor or therapist experienced in seating and positioning be consulted to determine if a J3 Back is appropriate. Backs should only be installed by an authorized Sunrise Medical supplier.

THE JAY J3 BACK

The Jay J3 Back is designed to provide the important benefits of a proper back support for a wide variety of users. It is designed to provide simple, comfortable and effective support to help maximize function and increase sitting tolerance. In addition, it is light-weight, durable and easy to use.

Maximum user weight:

300 lbs. (136 kg)

500 lbs. (227 kg) for sizes 22", 24" and 26" widths

⚠ WARNING

Installing a back support on a wheelchair may affect the center of gravity of the wheelchair and may cause the wheelchair to tip backwards potentially resulting in injury. Always assess for the potential need for anti-tippers or amputee axle adapter brackets to be added to the wheelchair to help increase stability.

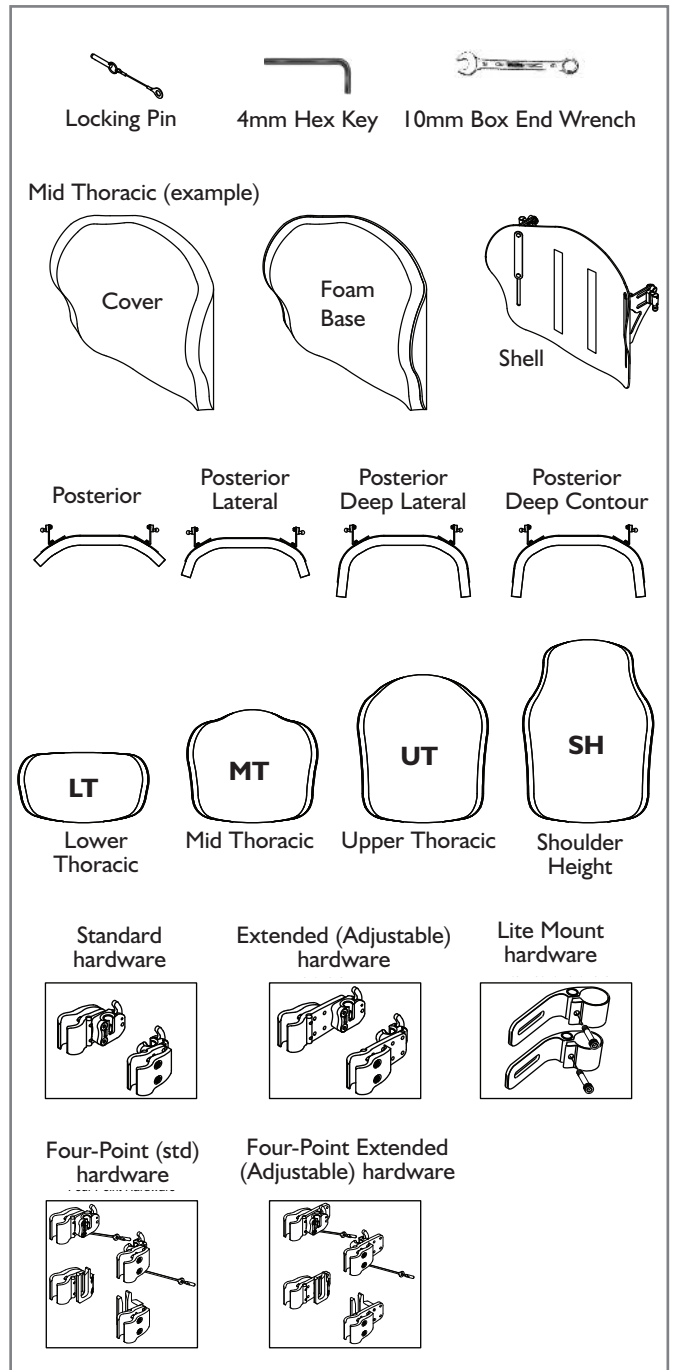
⚠ WARNING

Do not use J3 Back to push or lift wheelchair. Improper use may cause the back to unexpectedly detach from the wheelchair.

⚠ WARNING

Do not use the J3 back handle to lift wheelchair. It is intended only for back removal.

J3 BACK



MAINTENANCE

Sunrise recommends that all fasteners be checked for wear, such as loose bolts or broken components every 6 months. Loose fasteners should be retightened according to the installation instructions. All fasteners should be tightened to torque specifications as stated in the hardware installation section. Contact your authorized Sunrise Medical supplier immediately to replace any broken components. Do not continue to use the system after identifying loose or broken components.

EASY CLEANING

NOTE- When disassembling the back for cleaning, note the position of the Velcro® Spine Align Components for correct reassembly.

To clean back cover

Remove cover by detaching Velcro. Detach cover from back shell. Locate zipper on bottom of the cover and unzip. Remove foam and turn cover inside out. Zip cover closed to avoid snagging. Machine wash in warm water (50°C). Drip or tumble dry on low heat.

NOTE: Do not dry clean covers or use industrial washers and dryers to clean cover. Do not steam autoclave. Do not bleach.

Reinsert the foam into the cover. Please note, the base has two layers of foam. When reinserting the foam, ensure that the thinner “light grey” foam is facing the shell. Once the foam is secured inside the cover, zip cover closed.






To clean back shell

Shell may be wiped clean with soap and water. No other maintenance should be required.

To clean positioning components

Positioning components can be wiped clean with soap and water. Do not immerse positioning components underwater.

If you have any additional questions regarding cleaning procedures, please contact your authorized Sunrise Medical dealer.

Laundry Care Symbols	
	Machine wash in warm water (50° C)
	Only non-chlorine bleach, when needed
	Drip dry
	Do not iron
	Do not dry clean

DETERMINING COMPATIBILITY

Wheelchair Types

The J3 Back is designed to be compatible with most wheelchairs with the following exceptions:

Wheelchairs that are angularly adjustable, recline or tilt and result in a back angle greater than 60 degrees from the vertical should not be used.

⚠ WARNING

Use with these types of wheelchairs may cause the back to accidentally disconnect from the wheelchair resulting in a fall and the potential for serious injury.

Wheelchair Dimensions

The J3 Back is designed to replace the wheelchair's sling upholstery. Prior to installation determine if the wheelchair used has compatible back canes, by measuring the width between your back canes as seen in Figure 1. Then using that measurement, check Table 1 to determine if the back will fit your chair.

Next check that the back canes are a compatible diameter. The J3 back hardware can be mounted on wheelchair back canes ranging from 3/4" to 1 1/8". Measure your back cane diameter (Fig. 2) and refer to Table 2 to ensure your back canes are compatible.

If you cannot determine that the back canes are compatible please contact your authorized Sunrise Medical provider or Sunrise Medical customer service.

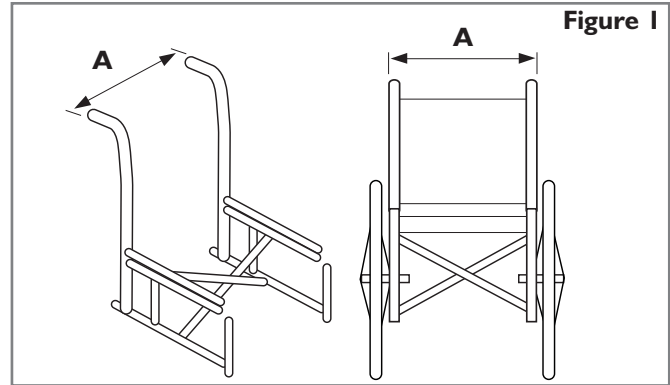


Figure 1

Table 1

J3 Back Width* (all contours)	Width of back canes from outside to outside of the tubes (Fig. 1-A)			
	Minimum width		Maximum width	
	inch	cm	inch	cm
14"	13.7	34.9	16.3	41.3
16"	15.7	40.0	18.3	46.4
18"	17.7	45.1	20.3	51.5
20"	19.7	50.1	22.3	56.5
22"	21.7	55.1	24.3	61.7
24"	23.7	60.2	26.3	66.8
26"	25.7	65.3	28.3	71.9

* Back Width is identified in your back's part number.
Example: J3PAMTS 14 SH is a 14" back.

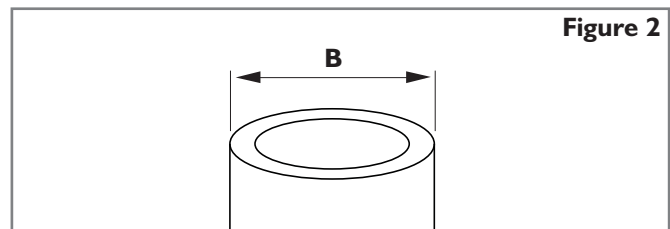


Figure 2

Table 2

J3 Back Width (all contours)	Cane diameter (Fig. 2-B)			
	Minimum width		Maximum width	
	inch	cm	inch	cm
14" - 26"	3/4	1.9	1 1/8	2.85

INSTALLING THE MOUNTING HARDWARE

Please read the following instructions before beginning installation.

To install the J3 Back, it is best to begin without a user in the wheelchair. Once the back has been installed and minor adjustments are needed the user can be seated back in the wheelchair.

Tools required (included with J3 Back)

- 4mm hex key
- 10mm box end wrench



Hardware Installation Instructions (Figs. 3, 4, 5)

1. Remove the existing wheelchair back according to the wheelchair manufacturer's instructions.
2. Visually determine the desired location of the receivers on the wheelchair's back canes. The mounting hardware should be at approximately equal heights on each back post (Fig. 3) and parallel to the seat frame (Fig. 4). Higher locations on the back canes are generally better.
3. Attach the hardware receivers. (Fig. 5)
 - a. Loosen the clamp screws (A) with the enclosed 4mm hex key. NOTE– For large tube diameters, clamp screws may have to be removed completely.
 - b. Attach and align receiver to the wheelchair back canes (B).
 - c. Hand tighten clamp screws (A). NOTE– Receivers may require additional lateral adjustment to ensure proper alignment.

Attaching and Aligning the J3 Back Shell (Fig. 6)

- a. Loosen bracket nuts (C) and mounting pin bolts (F) using 10mm box-end wrench until hardware can move easily in all directions.
- b. Attach the J3 Back to the hardware receivers by inserting left and right mounting pins (D) in the left and right receivers (E).
- c. Locate back to the approximate location, relative to both chair and user.
- d. Tighten bolts on the inside of the mounting pin (F). The recommended torque specification is 100 - 110 in-lbs. (11.3 - 12.4 Nm). NOTE– Back depth and angle may require additional adjustment to ensure proper fit to the user.
- e. Tighten bracket nuts (C). The recommended torque specification is 75 - 85 in-lbs. (8.5 - 9.3 Nm). NOTE– Back height may require additional adjustment to ensure proper fit to the user.
- f. Test back release by pressing the release levers forward and removing the back off the chair. (See Removal and Replacement section for further details.) Proper alignment of the mounting hardware and back is achieved when smooth attachment and release can be easily done.
- g. If proper alignment has not been achieved, adjust the components until properly aligned.
- h. Once properly aligned, tighten the hardware receiver clamp screws. The recommended torque specification is 75 - 85 in-lbs (8.5 - 9.3 Nm).

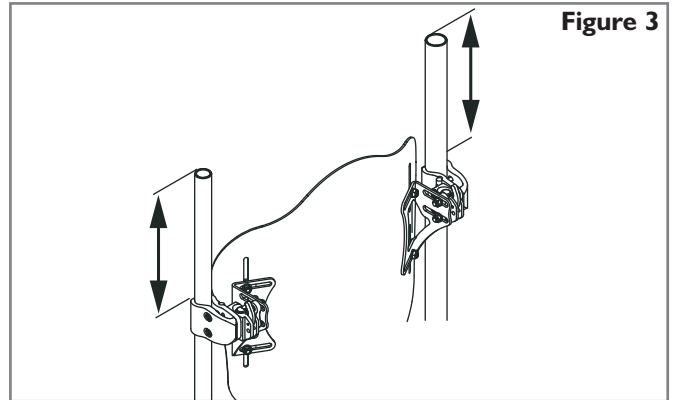


Figure 3

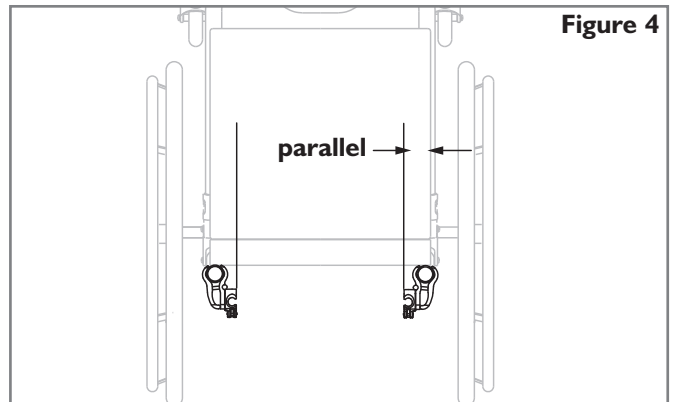


Figure 4

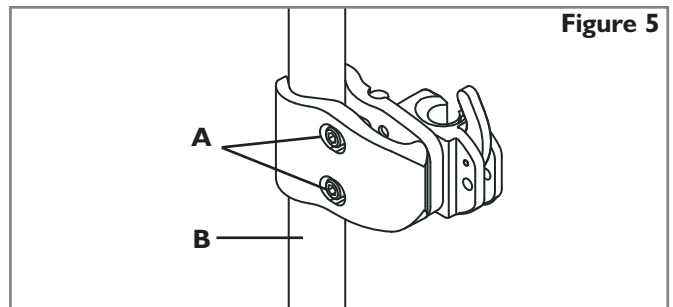


Figure 5

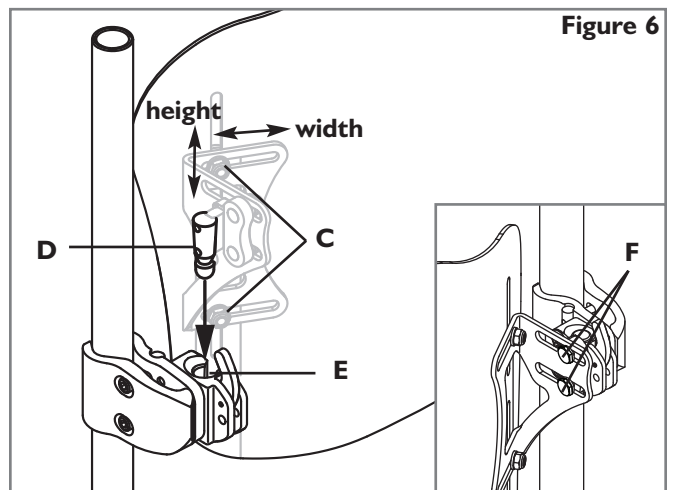


Figure 6

ATTACHING FOUR POINT HARDWARE (OPTIONAL) (FIG. 7, 8, 9)

Tools required (included with J3 Back with 4-Point Hardware)

- 4mm hex key



- 10mm box end wrench



- 5/8" box end wrench



Installing the 4-Point Hardware

1. Loosen the clamp screws (A) with the supplied 4mm hex key and slip the clamps around the Back Canes (B).
2. The mounting hardware should be at equal heights on each back post (Fig. 8) and parallel to the seat frame (Fig. 7).
3. Hand tighten clamp screws (A). Loosen bracket nuts (C) and Mounting Pin bolts (F) using the supplied 10mm box-end wrench until hardware can move easily in all directions

NOTE- For large tube diameters, clamp screws may have to be removed completely.

4. Attach the J3 Back by inserting left and right Mounting Pins (D) in the left and right Latch Receivers (E).
5. Install back to the approximate location, relative to both chair and user.
6. Tighten bolts on the inside of the Mounting Pin (F). Torque to 100 - 110 in-lbs.(11.3 - 12.4 Nm).

NOTE- Receivers may require additional lateral adjustment to ensure proper alignment.

7. Tighten bracket nuts (C). Torque to 75 - 85 in-lbs. (8.5 - 9.3 Nm).

NOTE- Back height may require additional adjustment to ensure proper fit to the user.

8. Test back release by pressing the release levers (L) forward and removing the back off the chair. Proper alignment of the mounting hardware and back is achieved when smooth attachment and release can be easily done.
9. If proper alignment has not been achieved, adjust the components until properly aligned.
10. Once properly aligned, tighten the hardware receiver clamp screws (A). Torque to 75 - 85 in-lbs (8.5 - 9.3 Nm)
11. Loosen bolts (G) to install Lower Receivers on Back Canes (H).
12. Use a 5/8" end wrench to loose the nut (K) that secures the Lower Mounting Pin (I) so that it slides fore and aft.
13. Slide lower receiver up (J) until it surrounds the Lower Mounting Pin (I).

NOTE- Leave 1/8" to 1/4" of space between the bottom of the Lower Mounting Pin (I) and the bottom of the Lower Receiver Channel (J).

NOTE- Make sure the Upper Mounting Bracket and Lower Receiver Bracket are in alignment on the Back Canes. Misalignment of the brackets may result in impaired function of quick-release.

14. Once properly aligned, tighten the hardware receiver clamp screws (G). The recommended torque specification is 75 - 85 in-lbs (8.5 - 9.3 Nm). Then tighten the Lower Mounting

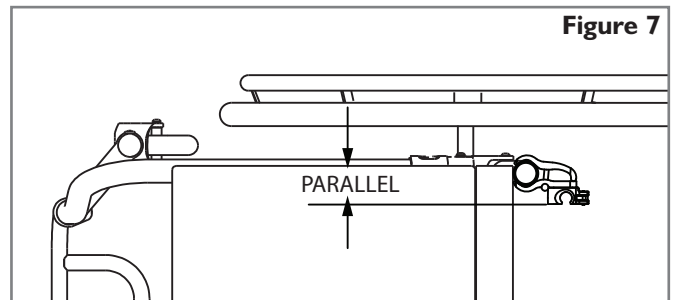


Figure 7

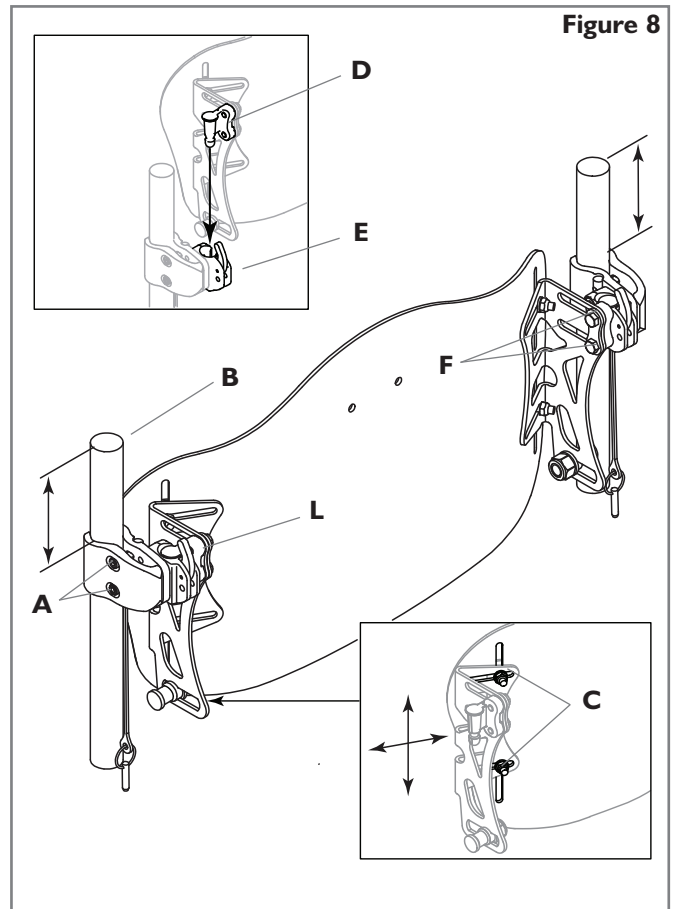


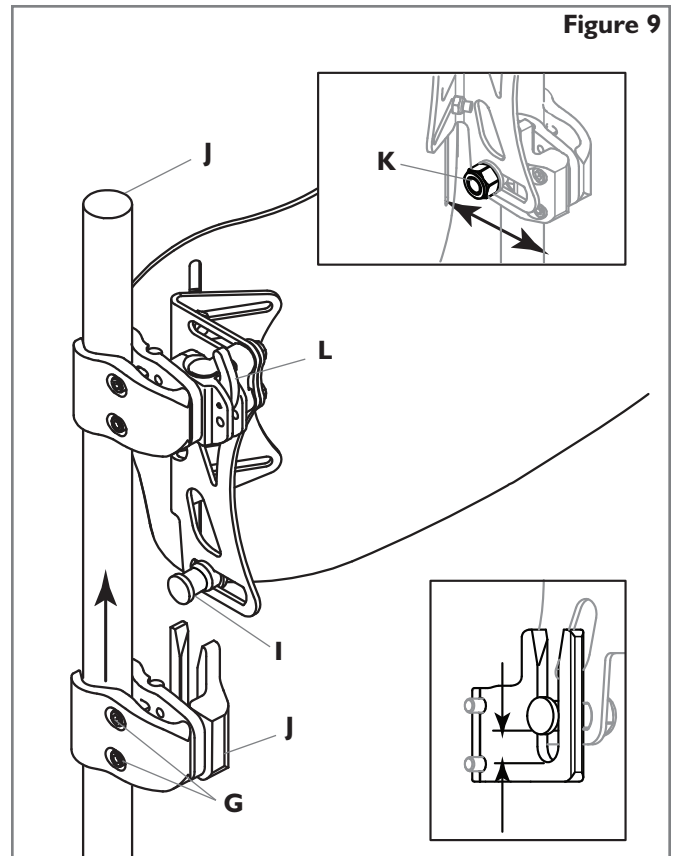
Figure 8

- Pin nut (K). Torque to 100 - 110 in-lbs.(11.3 - 12.4 Nm).
- 15. Test back release by pressing the release levers (L) forward and removing the back off the chair. (See Removal and Replacement section for further details.) Proper alignment of the mounting hardware and back is achieved when smooth attachment and release can be easily done.
- 16. If proper alignment has not been achieved, adjust the components until properly aligned.
- 17. To make micro adjustments, loosen bolts C and F. This will allow for minor changes in height, depth and angle. Retighten all bolts to required specs and test back function and quick-release.
- 18. Or, to make macro adjustments, loosen, but do not remove, bolts G, C and F (Figs. 8, 9). Position backrest to desired height, depth and angle.
- 19. Retighten all bolts to required specs and test back function and quick-release.

Adjusting the Four-Point Hardware

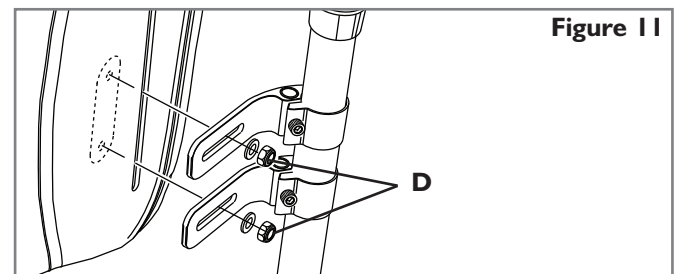
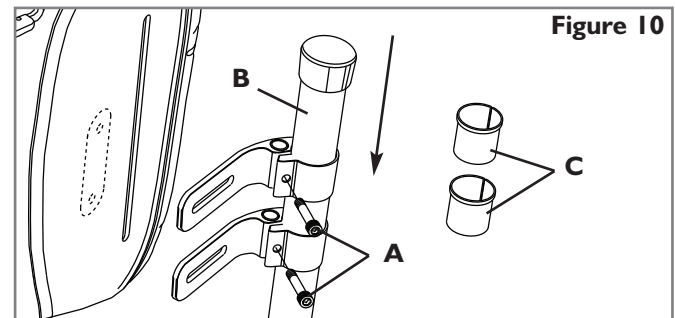
To make micro adjustments, loosen bolts C and F. This will allow for minor changes in height, depth and angle. Retighten all bolts to required specs and test back function and quick-release.

Or, to make macro adjustments, loosen, but do not remove, bolts G, C and F (Figs. 8, 9). Position backrest to desired height, depth and angle. Retighten all bolts to required specs and test back function and quick-release.



INSTALLING THE LITE MOUNT HARDWARE (FIG. 10, 11)

1. Loosen bolt (A) in each bracket.
 2. Slide all four brackets onto backrest frame tubes (B).
- NOTE-** All Lite Mount Hardware ships with optional spacers (C) to be used as needed on back posts smaller than one inch in diameter.
3. Install backrest onto Lite Mount Hardware using bolt (D).
 4. Adjust height and position of backrest and tighten.
- NOTE-** On backrest frame tubes with permanently attached or formed push handles, the back frame tubes may need to be removed and the mounting hardware slid on from the bottom.



ADJUSTING J3 HEIGHT, DEPTH AND ANGLE

The first phase of the J3 Back hardware installation is complete. It is now the appropriate time to have the user seated back in the chair for personalizing the J3 Back. Do not have the user apply full pressure on the back as it is not fully tightened to the full torque requirements.

1. Height Adjustment (Fig. 12)

- With the user in the chair, identify the desired height of the back. Once identified, have the user remove pressure from the J3 Back by leaning or sliding partially forward if possible to allow the adjustment to take place.
- Loosen the bracket nuts (A) and adjust the height of the back shell to required position.
- Securely tighten the bracket nuts (A). The recommended torque specification is 75-85 in-lbs. (8.5 - 9.3 Nm).

NOTE- After height adjustment is complete, check that the width was not inadvertently changed.

2. Depth/Angle Adjustment (Figs. 13, 14, 15, 16)

Please note there are two types of hardware that can be ordered—standard hardware (Fig. 13) or the longer, adjustable hardware (Fig. 14). Both sets of hardware are adjusted the same, but the standard hardware allows for 2 inches of depth adjustment (Fig. 13) while the extended hardware (adjustable hardware) allows for a total of 3.4 inches of depth adjustability (Fig. 14).

- To adjust J3 Back depth and angle loosen left and right bolts (Fig. 16-B) on bracket slots.
- Adjust depth and/or angle and securely tighten. The recommended torque specification is 100-110 in-lbs. (11.3 - 12.4 Nm). Ensure that none of the depth adjustment nuts (Fig 16-B) will slip or rotate.
- If additional depth is needed, remove back from receivers. Remove screws (Figs. 13-D, 14-D) from receiver using the enclosed 4mm hex key, and reposition to desired depth. Tighten screws to 25-35 in-lbs. (2.8 - 4 Nm).

⚠ WARNING

Ensure that all hardware has been properly tightened once all adjustments have been completed and the J3 Back is ready for use.

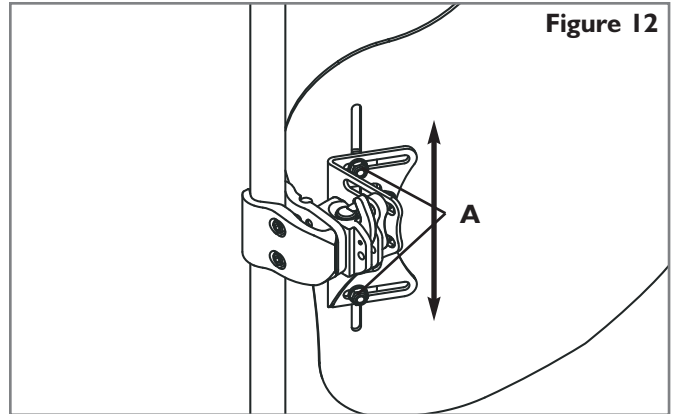
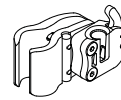


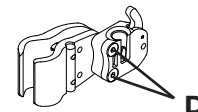
Figure 12

Standard hardware— 2 depth settings

Figure 13



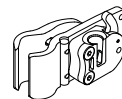
Depth 1



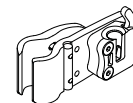
Depth 2

Extended (Adjustable) hardware

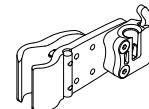
Figure 14



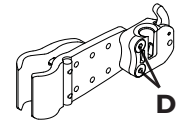
Depth 1



Depth 2



Depth 3



Depth 4

Four-Point Hardware Lower Receivers

Figure 15

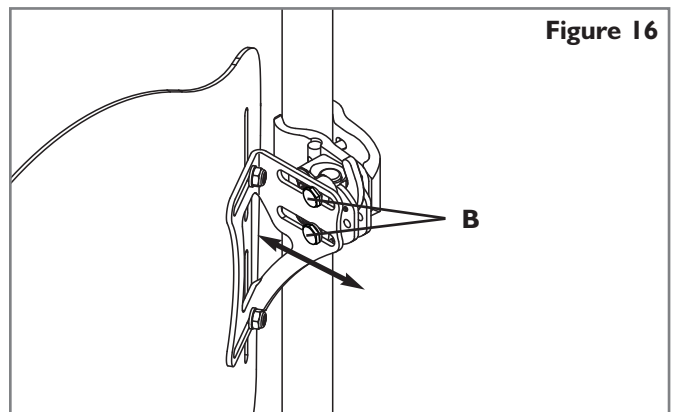
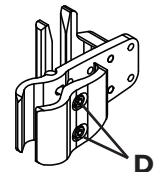
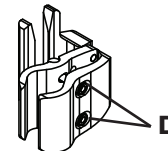
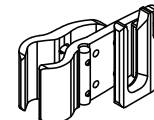
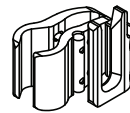


Figure 16

VANITY FLAP INSTALLATION

1. Lift upper flap of J3 Back Cover (Fig. 17)
2. Match hook to loop and attach Vanity Flap to the back of the J3 Back Cover (Fig. 17). Reposition upper flap of cover to sandwich the Vanity Flap between the flaps the upper and lower flaps (Fig. 18).
3. Remove Seat Cushion from wheelchair and sandwich "tail" of Vanity Flap between wheelchair support surface and Seat Cushion (Fig 20).
4. Adjust Vanity Flap as necessary by moving the tail in or out from under the Seat Cushion. If necessary the upper part of the vanity flap can be moved up or down on the Seat Back also.
5. Insert Hook & Loop Wrap ties through the appropriate grommets on the Vanity Flap, then wrap around the wheelchair frame and insert the leading end through the slot end of the Wrap (Fig. 21). Snug up and close outside gaps in Vanity Flap (Fig. 22).



Figure 17



Figure 18



Figure 19



Figure 20



Figure 21



Figure 22



Figure 23

Finished J3 Vanity Flap Installation

SPINE ALIGN POSITIONING COMPONENTS

Spine Align Positioning Components are designed to provide intimately shaped support within an “off-the-shelf” back. (Depending on your market, Spine Align components may be included with your back.) To install Spine Align please read the following directions.

I. Spine Align Positioning Component Installation

- Have the user remove pressure from the J3 Back by leaning or sliding partially forward if possible.
- Release Velcro strip on the top cover flap (Fig. 24) and lift the cover forward to reveal the inside of the J3 Back.
- Place the positioning component(s) on the Velcro inside of the shell (Fig. 25) and reattach the top cover flap. Pull down making certain that the top seam is aligned with the top of the shell. If seam does not line up, the bottom of the cover may need to be loosened (Fig. 26).
- Have the user test the current Spine Align setup for comfort and support and repeat steps a-c until adjustment is complete.
- Multiple configurations and combinations of Spine Align components can be used. If additional Spine Align shapes or sizes are required, please contact your dealer or Sunrise Medical at 800-333-4000.

NOTE- If you require further information on the J3 Spine Align system, please review our animation at www.sunrisemedical.com.

Installation of the J3 back is complete.

Positioning Components	
Large Lumbar	
Small Lumbar	
Wedge	
Curved Shim	
Flat Shim	
Posterior/Lateral Pelvic	
Lateral Shim	
Large Bean Bag	
Small Bean Bag	

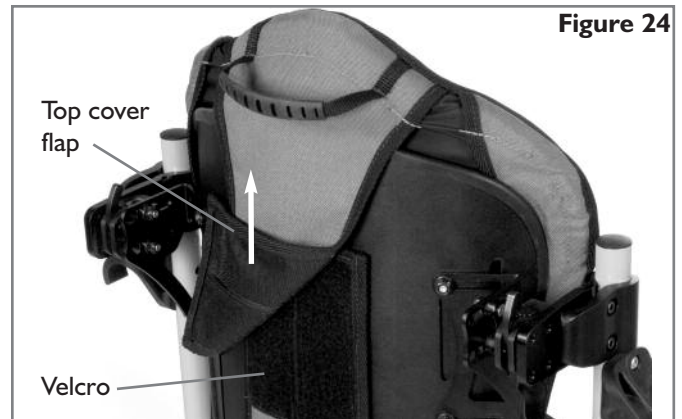


Figure 24



Figure 25

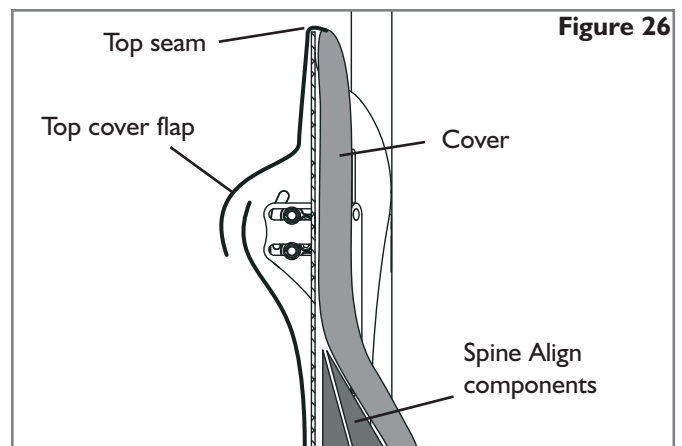


Figure 26

J3 ACCESSORIES

If you have ordered J3 accessories such as laterals, headrests or harnesses please consult the installation instructions related to those items.

BACK TRANSIT SAFETY

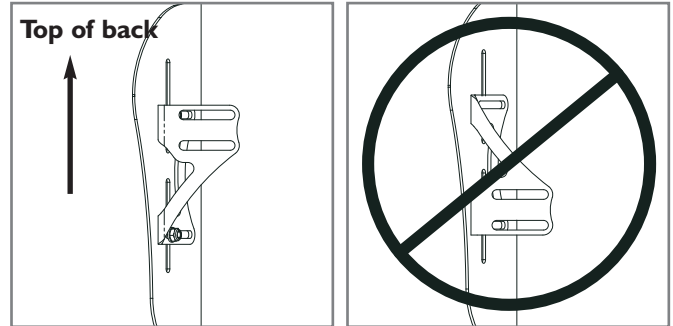
The J3 back has been dynamically tested for use in a motor vehicle. Please follow all installation, use and maintenance instructions within this manual as well as the transit instructions listed below.

WARNINGS

1. If possible and feasible, the rider should transfer to the Original Equipment Manufacturer vehicle seat and use the vehicle restraints.
2. The distance between the top of the user's shoulder and the top of the back should not exceed 6.5" (16.5 cm).
3. The wheelchair must be labeled as appropriate for use as a seat in a motor vehicle, dynamically tested to the performance requirements of ISO Standard 7176-19 and installed, used and maintained according to the manufacturer's instructions.
4. If the original wheelchair seat was replaced, the new seat must be approved for wheelchair transit, installed and used as indicated in the manufacturer's instructions.
5. The Wheelchair Tiedown and Occupant Restraint System (WTORS) should be compatible with the specific wheelchair, used as indicated in the manufacturer's instructions and should comply with the performance requirements of ISO Standard 10542.
6. The wheelchair must be forward facing during transport.
7. In order to reduce the potential of injury to vehicle occupants wheelchair-mounted accessories such as trays and respiratory equipment should be removed and secured separately.
8. This product is intended for use by adults ranging in weight from 79 to 300lbs or up to 500 lbs. (227 kg) for widths over 22".
9. Postural support devices such as pelvic positioning belts, anterior trunk supports or postural supports such as lateral trunk supports should not be relied on for occupant restraint in a moving vehicle unless they are labeled as conforming to ISO Standard 16840-4.

10. Alterations or substitutions should not be made to the structure, parts or components, without consulting the manufacturer.

11. Backshell mounting bracket must be attached in the "leg up" position for transit use. (See below.) Refer to the appropriate section for correct back hardware mounting instructions.



Correct bracket orientation for transit

Incorrect bracket orientation for transit

⚠ WARNING

**FAILURE TO HEED THESE WARNINGS
COULD CAUSE SEVERE INJURY TO THE
WHEELCHAIR RIDER OR OTHERS.**

Refer to next page for a list of transit approved part numbers.

PART NUMBERS OF PRODUCTS THAT ARE APPROVED FOR USE IN A MOTOR VEHICLE:

Backs

Upper Thoracic (UT) Back Part Numbers that are approved for use in a motor vehicle.*

J3PAUTS14SH	J3PLUTS16SH	J3PDLUTS18SH	J3PAUTS14FS	J3PLUTT14FS	J3PDLUTT16FS
J3PAUTM14SH	J3PLUTM16SH	J3PDLUTM18SH	J3PAUTM14FS	J3PLUTS16FS	J3PDLUTS18FS
J3PAUTT14SH	J3PLUTT16SH	J3PDLUTT18SH	J3PAUTT14FS	J3PLUTM16FS	J3PDLUTM18FS
J3PAUTS16SH	J3PLUTS18SH	J3PDLUTS20SH	J3PAUTS16FS	J3PLUTT16FS	J3PDLUTT18FS
J3PAUTM16SH	J3PLUTM18SH	J3PDLUTM20SH	J3PAUTM16FS	J3PLUTS18FS	J3PDLUTS20FS
J3PAUTT16SH	J3PLUTT18SH	J3PDLUTT20SH	J3PAUTT16FS	J3PLUTM18FS	J3PDLUTM20FS
J3PAUTS18SH	J3PLUTS20SH	J3PAUTS12SH	J3PAUTS18FS	J3PLUTT18FS	J3PDLUTT20FS
J3PAUTM18SH	J3PLUTM20SH	J3PLUTS12SH	J3PAUTM18FS	J3PLUTS20FS	J3PDCUTM14FS
J3PAUTT18SH	J3PLUTT20SH	J3PAUTM24FS	J3PAUTT18FS	J3PLUTM20FS	J3PDCUTM16FS
J3PAUTS20SH	J3PDLUTS14SH	J3PAUTM22FS	J3PAUTS20FS	J3PLUTT20FS	J3PDCUTM18FS
J3PAUTM20SH	J3PDLUTM14SH	J3PDCUTM14SH	J3PAUTM20FS	J3PDLUTS14FS	J3PDCUTM20FS
J3PAUTT20SH	J3PDLUTT14SH	J3PDCUTM16SH	J3PAUTT20FS	J3PDLUTM14FS	
J3PLUTS14SH	J3PDLUTS16SH	J3PDCUTM18SH	J3PLUTS12FS	J3PDLUTT14FS	
J3PLUTM14SH	J3PDLUTM16SH	J3PDCUTM20SH	J3PLUTS14FS	J3PDLUTS16FS	
J3PLUTT14SH	J3PDLUTT16SH	J3PAUTS12FS	J3PLUTM14FS	J3PDLUTM16FS	

Shoulder Height (SH) Back Part Numbers that are approved for use in a motor vehicle.*

J3PASHM16SH	J3PLSHM16SH	J3PDLSHM18SH	J3PASHM16FS	J3PLSHM18FS	J3PDLSHS20FS
J3PASHS14SH	J3PLSHS18SH	J3PDLSHT18SH	J3PASHS18FS	J3PLSHT18FS	J3PDLSHM20FS
J3PASHS16SH	J3PLSHM18SH	J3PDLSHS20SH	J3PASHM18FS	J3PLSHS20FS	J3PDLSHT20FS
J3PASHS18SH	J3PLSHT18SH	J3PDLSHM20SH	J3PASHT18FS	J3PLSHM20FS	J3PDCSHS16FS
J3PASHM18SH	J3PLSHS20SH	J3PDLSHT20SH	J3PASHS20FS	J3PLSHT20FS	J3PDCSHS18FS
J3PASHT18SH	J3PLSHM20SH	J3PASHS22FS	J3PASHM20FS	J3PDLSHS14FS	J3PDCSHS20FS
J3PASHS20SH	J3PLSHT20SH	J3PDCSHS16SH	J3PASHT20FS	J3PDLSHS16FS	
J3PASHM20SH	J3PDLSHS14SH	J3PDCSHS18SH	J3PLSHS14FS	J3PDLSHM16FS	
J3PASHT20SH	J3PDLSHS16SH	J3PDCSHS20SH	J3PLSHS16FS	J3PDLSHS18FS	
J3PLSHS14SH	J3PDLSHM16SH	J3PASHS14FS	J3PLSHM16FS	J3PDLSHM18FS	
J3PLSHS16SH	J3PDLSHS18SH	J3PASHS16FS	J3PLSHS18FS	J3PDLSHT18FS	

Mid Thoracic (MT) Back Part Numbers that are approved for use in a motor vehicle.*

J3PAMTS12SH	J3PAMTT22FS	J3PAMTS12LM	J3PAMTM18LM	J3PLMTT14LM	J3PDCMTS14LM
J3PAMTM12SH	J3PAMTS22FS	J3PAMTM12LM	J3PAMTT18LM	J3PLMTS16LM	J3PDCMTT14LM
J3PAMTT12SH	J3PDCMTS14SH	J3PAMTT12LM	J3PAMTS20LM	J3PLMTM16LM	J3PDCMTS16LM
J3PLMTS12SH	J3PDCMTT14SH	J3PAMTS14LM	J3PAMTM20LM	J3PLMTT16LM	J3PDCMTT16LM
J3PLMTM12SH	J3PDCMTS16SH	J3PAMTM14LM	J3PAMTT20LM	J3PLMTS18LM	J3PDCMTS18LM
J3PLMTT12SH	J3PDCMTT16SH	J3PAMTT14LM	J3PLMTS12LM	J3PLMTM18LM	J3PDCMTT18LM
J3PAMTT26FS	J3PDCMTS18SH	J3PAMTS16LM	J3PLMTM12LM	J3PLMTT18LM	J3PDCMTS20LM
J3PAMTS26FS	J3PDCMTT18SH	J3PAMTM16LM	J3PLMTT12LM	J3PLMTS20LM	J3PDCMTT20LM
J3PAMTT24FS	J3PDCMTS20SH	J3PAMTT16LM	J3PLMTS14LM	J3PLMTM20LM	
J3PAMTS24FS	J3PDCMTT20SH	J3PAMTS18LM	J3PLMTM14LM	J3PLMTT20LM	

Lower Thoracic (LT) Back Part Numbers that are approved for use in a motor vehicle.*

J3PALTM12SH	J3PDCLTT16SH	J3PALTT12LM	J3PALTM16LM	J3PALTT20LM	J3PDCLTM18LM
J3PALTT12SH	J3PDCLTM18SH	J3PALTS14LM	J3PALTT16LM	J3PDCLTM14LM	J3PDCLTT18LM
J3PDCLTM14SH	J3PDCLTT18SH	J3PALTM14LM	J3PALTS18LM	J3PDCLTT14LM	J3PDCLTT20LM
J3PDCLTT14SH	J3PDCLTT20SH	J3PALTT14LM	J3PALTM18LM	J3PDCLTM16LM	
J3PDCLTM16SH	J3PALTM12LM	J3PALTS16LM	J3PALTT18LM	J3PDCLTT16LM	

*The part numbers listed, ending in "SH" and also these numbers ending in "AH" are approved for use in a motor vehicle.

Headrests

JAY J3 headrests that have been dynamically tested for use in a motor vehicle.

NOTE- 14" Plush headrests have not been tested for use in a motor vehicle. As a result, the performance of the headrest in combination with backs that are labeled for transit use, when used as a seat in a motor vehicle, is unknown.

JAY J3 Headrests part numbers that are approved for use in a motor vehicle.

J3HEDX10	ART-Headrest, 10" Pad, AXYS	J3HEDC10	ART-Headrest, 10" Pad, Cobra	J3HEDF10	ART-Headrest, 10" Pad, CobraFB
J3HEDX8	ART-Headrest, 8" Pad, AXYS	J3HEDC8	ART-Headrest, 8" Pad, Cobra	J3HEDF8	ART-Headrest, 8" Pad, CobraFB
J3HEDXPM	ART-Headrest, Md C-Plu Pad, AXYS	J3HEDCPM	ART-Headrest, Md CPlu Pad, Cobra	J3HEDFPM	ART-Headrest, Md C-Pad, CobraFB
J3HEDXPL	ART-Headrest, Lg C-Plu Pad, AXYS	J3HEDCPL	ART-Headrest, Lg CPlu Pad, Cobra	J3HEDFPL	ART-Headrest, Lg C-Pad, CobraFB
J3HEDXCL	ART-Headrest, Lg Cradle, AXYS	J3HEDCCL	ART-Headrest, Lg Cradle, Cobra	J3HEDFCL	ART-Headrest, Lg Cradle, CobraFB
J3HEDXCM	ART-Headrest, Md Cradle, AXYS	J3HEDCCM	ART-Headrest, Md Cradle, Cobra	J3HEDFCM	ART-Headrest, Md Cradle, CobraFB

REMOVAL AND REPLACEMENT

Removal

Following installation and adjustment, the back can be easily removed from the wheelchair if necessary. To remove, push each release lever forward to unlock (Fig. 27). Once both levers are in the forward position, simply lift the back straight up (Fig. 28) using the handle located on the top of the back.

Proper reattachment after removal

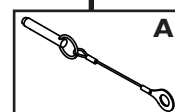
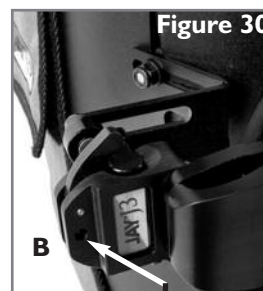
To reattach the back to the hardware receivers, simply line up the pins to the receivers and push into place (Fig. 28). If properly inserted the pins will “click” to a locked position.

⚠ WARNING

If you are uncertain if you have heard the locking “click”, pull up on the back using the handle to ensure that it has been securely locked.

Locking Pins (Fig. 30)

The J3 Back comes with two locking pins which, when secured, prevent the back from being released from the chair. To lock, insert the pins (A) into the mounting receivers (B). Simply remove the pins if the quick-release capability is desired.



WARRANTY

24 MONTH LIMITED WARRANTY

Each Jay J3 Back is carefully inspected and tested to provide peak performance. Every Jay J3 Back is guaranteed to be free from defects in materials and workmanship for a period of 24 months from the date of purchase, provided normal use. Should a defect in materials or workmanship occur within 24 months from the original date of purchase, Sunrise Medical will, at its option, repair or replace it without charge. This warranty does not apply to punctures, tears or burns, nor to the back's removable cover.

Claims and repairs should be processed through the nearest authorized supplier. Except for express warranties made herein, all other warranties, including implied warranties of merchantability and warranties of fitness for a particular purpose are excluded. There are not warranties which extend beyond the description on the face hereof. Remedies for breach of express warranties herein are limited to repair or replacement of the goods. In no event shall damages for breach of any warranty include any consequential damages or exceed the cost of non-conforming goods sold.

Sunrise Medical recomienda consultar con un médico o un terapeuta experimentado en posicionamiento para determinar si es apropiada la utilización del respaldo J3. Los respaldos sólo deben ser instalados por un proveedor autorizado de Sunrise Medical.

RESPALDO DE JAY J3

El Respaldo de Jay J3 está diseñado para proporcionar, un apoyo apropiado para la espalda a una gran variedad de usuarios. Está diseñado para proporcionar un apoyo simple, confortable y efectivo para ayudar a maximizar su funcionalidad e incrementar la tolerancia a la silla. Además, es ligero, duradero y fácil de utilizar.

Peso máximo del usuario:

300 lbs. (136 kg).

500 lbs. (227 kg) para anchos de 22 pulg., 24 y 26 pulg.

⚠️ ADVERTENCIA

Instalar un soporte para la espalda en una silla de ruedas puede afectar al centro de gravedad de la misma y puede provocar que la silla de ruedas se vuelque hacia atrás, provocando posibles lesiones.

Evalúe siempre la necesidad de instalar en la silla de ruedas tubos antivuelcos o abrazaderas adaptadoras del eje para amputados para ayudar a aumentar la estabilidad.

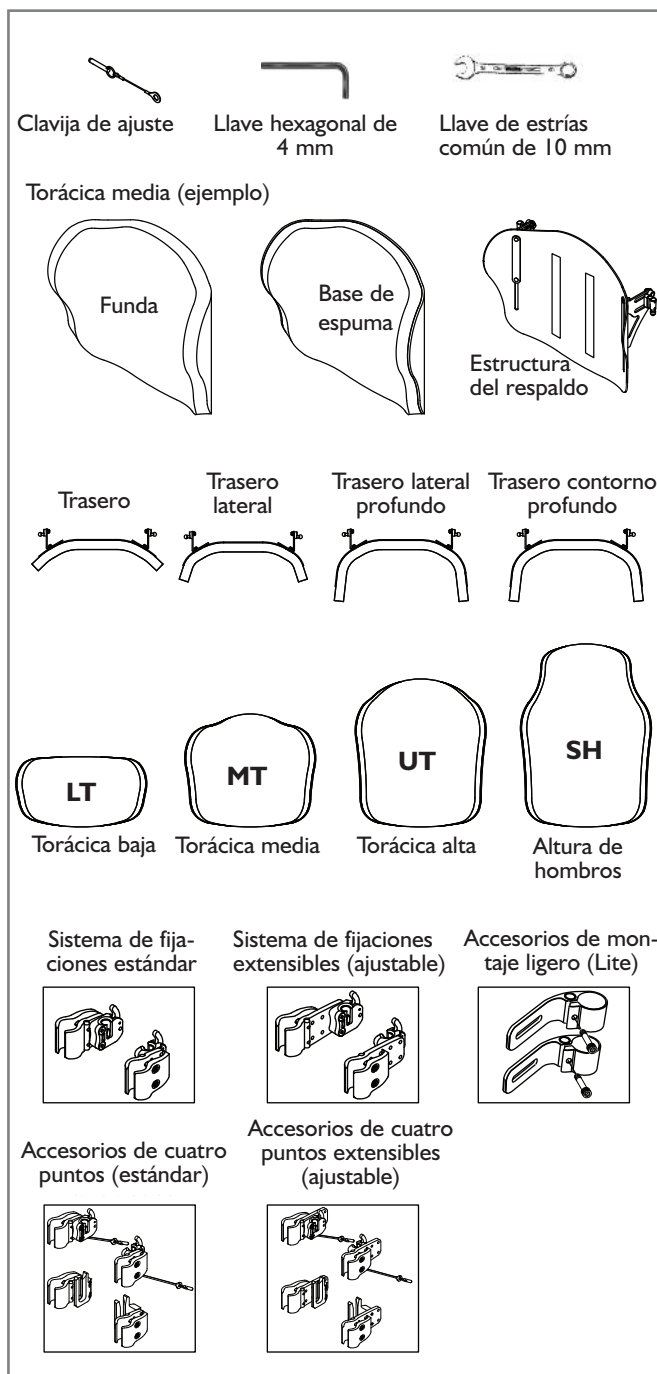
⚠️ ADVERTENCIA

No utilice el Respaldo J3 para empujar o levantar la silla de ruedas. El uso inapropiado puede provocar que el respaldo se desprenda inesperadamente de la silla de ruedas.

⚠️ ADVERTENCIA

No utilice la empuñadura del respaldo J3 para levantar la silla de ruedas. Esta empuñadura sólo está diseñada para la extracción del respaldo.

RESPALDO DE J3



ESPECIFICACIONES DE MANTENIMIENTO Y AJUSTE DE LAS FIJACIONES

Sunrise recomienda que todas las fijaciones sean comprobadas por si están desgastadas y para comprobar si hay, por ejemplo, pernos sueltos o componentes rotos, cada 6 meses. Las fijaciones sueltas deben volver a apretarse de acuerdo con las instrucciones de instalación. Todas las abrazaderas deben ajustarse de acuerdo con las especificaciones de ajuste, según lo estipulado en la sección de instalación del sistema de fijaciones. Póngase en contacto con su proveedor autorizado de Sunrise Medical inmediatamente para sustituir cualquier componente roto. No continúe utilizando el sistema después de identificar componentes sueltos o rotos.

FÁCIL DE LIMPIAR

NOTE- *Al desmontar el respaldo para realizar la limpieza, fjese bien en la posición de los componentes de alineación vertebral con Velcro® para montarlos correctamente después.*

Para limpiar la funda del respaldo

Retire la funda despegando el Velcro. Separe la funda de la estructura del respaldo. Localice el cierre de la parte inferior de la funda y ábralo. Retire la espuma y ponga la funda al revés. Cierre la cremallera de la funda y evite que se enganche. Lave a máquina con agua templada (50°C). Seque al natural o a máquina a baja temperatura.

NOTA: *No limpie las fundas en tintorería ni use lavadoras y secadoras industriales. No las meta en autolavado de vapor. No use cloro.*

Vuelva a colocar la espuma dentro de la funda. Tenga en cuenta que la base contiene dos capas de espuma. Al volver a colocar la espuma, compruebe que la capa más delgada de color "gris claro" quede mirando hacia la estructura del respaldo. Una vez que la espuma esté perfectamente colocada dentro de la funda, cierre la cremallera para finalizar.

Para limpiar la estructura del respaldo

La estructura se puede limpiar mediante un paño humedecido con agua y jabón. No se requiere ningún otro mantenimiento.

Para limpiar los componentes de posicionamiento

Los componentes de posicionamiento pueden limpiarse con agua y jabón. No sumerja los componentes de posicionamiento en agua.

Si tiene dudas acerca del procedimiento de limpieza, comuníquese con un representante autorizado de Sunrise Medical.

Símbolos para el cuidado en el lavado	
	Lavar a máquina en agua tibia (50° C)
	Utilizar sólo lejía sin cloro, en casos necesarios
	Secar al natural
	No planchar
	No lavar en seco

COMPATIBILIDAD

Tipos de sillas de ruedas

El Respaldo J3 está diseñado para ser compatible con la mayoría de las sillas de ruedas con las siguientes excepciones:

No deben utilizarse sillas de ruedas que sean ajustables angularmente, reclinables o basculantes, y que lleguen a un ángulo mayor de 60 grados.

ADVERTENCIA

Utilizar estos tipos de silla de ruedas puede hacer que el respaldo se suelte accidentalmente de la silla de ruedas, provocando una caída y una posible lesión.

Dimensiones de la silla de ruedas

El Respaldo J3 está diseñado para sustituir la tapicería de la parte posterior de la silla de ruedas. Antes de la instalación determine si la silla de ruedas utilizada tiene tubos posteriores compatibles, midiendo la anchura entre ambos tubos, como se ve en la Figura 1. Luego, con esa medida, consulte la Tabla 1 que aparece a continuación para ver si los tubos posteriores son de la anchura correcta.

Después, compruebe que los tubos posteriores son de un diámetro compatible (Tabla 2). Las piezas de fijación del respaldo J3 pueden montarse en tubos posteriores de sillas de ruedas entre 3/4" y 1 1/8". Mida el diámetro del tubo trasero (Fig. 2) y consulte la Tabla 2 para asegurarse de que los tubos posteriores son compatibles.

Si no puede determinar que los tubos posteriores sean compatibles, póngase en contacto con su proveedor autorizado de Sunrise Medical o con el servicio de atención al cliente de Sunrise Medical.

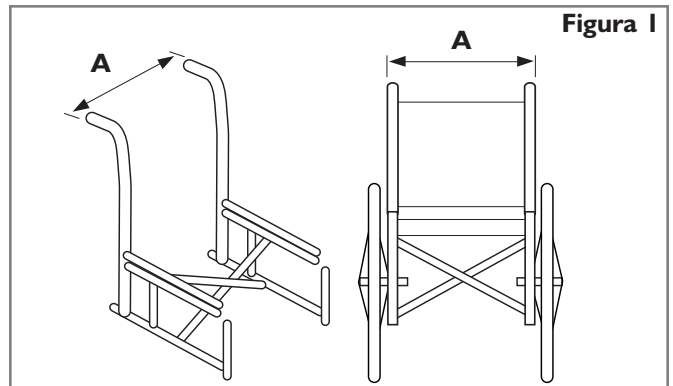


Tabla 1

Anchura del respaldo J3* (todos los contornos)	Anchura de los tubos posteriores medidos desde las caras externas de los tubos (Fig. 1-A)			
	Anchura mínima		Anchura máxima	
	pulg.	cm	pulg.	cm
14"	13.7	34.9	16.3	41.3
16"	15.7	40.0	18.3	46.4
18"	17.7	45.1	20.3	54.5
20"	19.7	50.1	22.3	56.5
22"	21.7	55.1	24.3	61.7
24"	23.7	60.2	26.3	66.8
26"	25.7	65.3	28.3	71.9

* La anchura del respaldo está identificada en el número de serie del respaldo. Ejemplo: J3PAMTS14SH es un respaldo de 14".

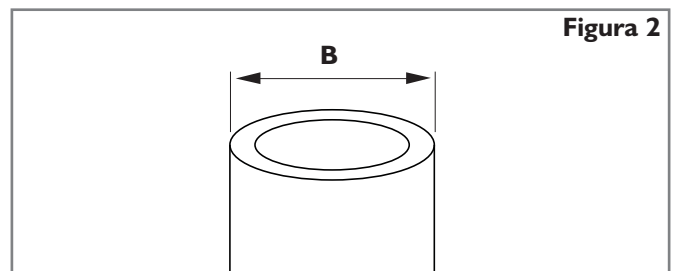


Tabla 2



Anchura del respaldo J3* (todos los contornos)	diámetro de tubos posteriores (Fig. 2-B)			
	Anchura mínima		Anchura máxima	
	pulg.	cm	pulg.	cm
14" - 26"	3/4	1.9	1 1/8	2.85

INSTALACIÓN DE LAS PIEZAS DE FIJACIÓN Y MONTAJE

Por favor lea las siguientes instrucciones antes de dar comienzo a la instalación.

Para instalar el respaldo J3, es mejor comenzar sin el usuario en la silla de ruedas. Una vez que el respaldo está instalado, y sólo se necesitan hacer pequeños ajustes, el usuario podrá volver a sentarse en la silla de ruedas.

Herramientas necesarias (incluidas con el respaldo J3)

- Llave hexagonal de 4 mm 
- Llave de estrías común de 10 mm 

Instrucciones para la instalación de las piezas de fijación

(Figs. 3, 4, 5)

1. Retire el respaldo existente de la silla de ruedas siguiendo las instrucciones del fabricante.
2. Determine visualmente la ubicación deseada de los receptores en los tubos posteriores de la silla de ruedas. Las piezas del sistema de fijación deben estar montadas a una altura equidistante en cada tubo posterior (Fig. 3) y paralelas al armazón del asiento (Fig. 4). Cuanto más alta la ubicación de los tubos posteriores, mejor.
3. Inserte los receptores del sistema de fijación. (Fig. 5)
 - a. Afloje los tornillos de la abrazadera (A) con la llave hexagonal de 4 mm incluida.

NOTA: Para tubos de mayor diámetro, quizá sea necesario extraer totalmente los tornillos de la abrazadera.

- b. Inserte y alinee el receptor a los tubos posteriores de la silla de ruedas (B).
- c. Ajuste los tornillos de la abrazadera a mano (A). NOTA: Es posible que los receptores necesiten ajuste lateral adicional para garantizar la alineación apropiada.

Inserción y alineación de la estructura del respaldo J3 (Fig. 6)

1. Afloje las tuercas de los soportes (C) y los pernos de la clavija de montaje (F) utilizando la llave de estrías común de 10 mm hasta que las piezas del sistema de fijación se deslicen fácilmente en todas direcciones.
2. Inserte el respaldo J3 en los receptores del sistema de fijación colocando las clavijas de montaje izquierda y derecha (D) en los receptores izquierdo y derecho (E).
3. Coloque el respaldo en la posición deseada aproximada, en relación con el usuario y con la silla.
4. Ajuste los pernos interiores de la clavija de montaje (F). La torsión de ajuste recomendada es de 100 - 110 pulg-lbs (11,3 - 12,4 Nm). NOTA: Es posible que la profundidad y el ángulo del respaldo necesiten un ajuste adicional para garantizar una posición adecuada para el usuario.
5. Ajuste las tuercas (C). La torsión de ajuste recomendada es de 75 - 85 pulg-lbs (8,5 - 9,3 Nm). NOTA: Es posible que la altura del respaldo necesite un ajuste adicional para garantizar una posición adecuada para el usuario.
6. Compruebe el sistema de extracción del respaldo presionando las palancas de liberación hacia delante y quitando el respaldo de la silla. (Para más información, consulte la sección Retirada y nueva colocación). La alineación de las piezas de ajuste, montaje y respaldo será correcta si la instalación y la liberación pueden realizarse fácilmente.
7. Si no se ha conseguido una alineación apropiada, ajuste los componentes hasta que queden correctamente alineados.
8. Una vez bien alineados, ajuste los tornillos de la abrazadera del receptor. La torsión de ajuste recomendada es de 75 - 85 pulg-lbs (8,5 - 9,3 Nm).

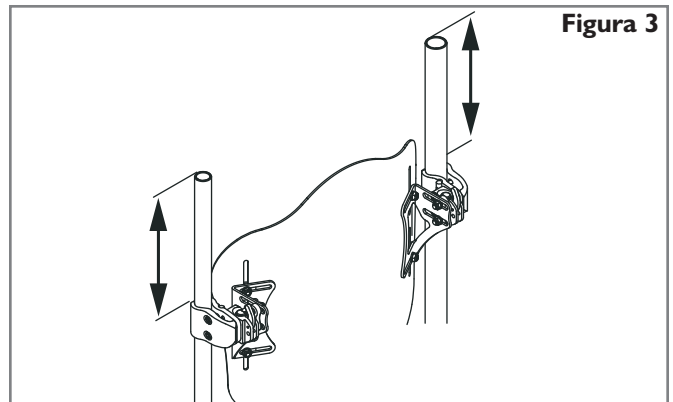


Figura 3

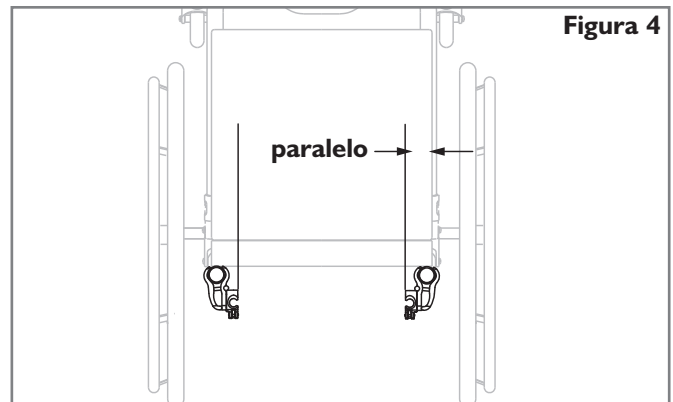


Figura 4

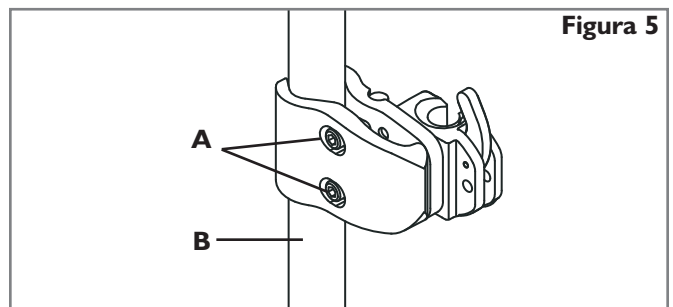


Figura 5

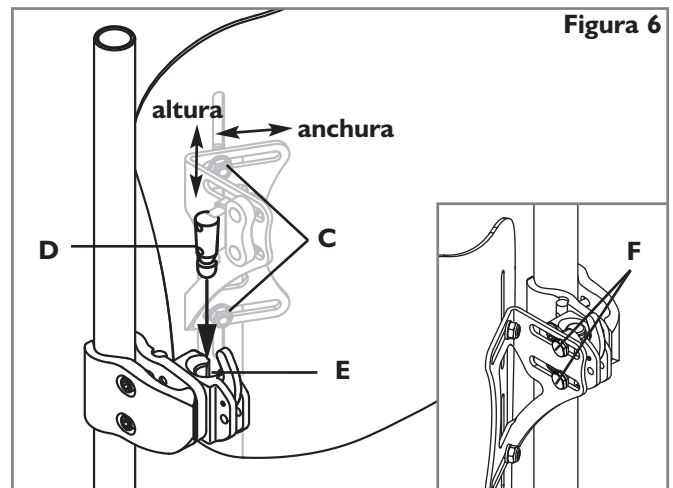


Figura 6

FIJACIÓN DE LOS ACCESORIOS DE CUATRO PUNTOS (OPCIONAL) (FIG. 7, 8, 9)

Herramientas necesarias (incluidas con el respaldo J3 con accesorios de 4 puntos)

- Llave hexagonal de 4 mm



- Llave de caja de 10 mm



- Llave de caja de 5/8 pulg.



Instalación de los accesorios de 4 puntos

1. Afloje los tornillos de las abrazaderas (A) con la llave hexagonal de 4 mm incluida, y deslice las abrazaderas alrededor de los bastones del respaldo (B).
2. Los accesorios de montaje deben tener la misma altura en cada uno de los postes posteriores (Fig. 8) y deben estar paralelos a los costados del bastidor del asiento (Fig. 7).
3. Apriete los tornillos de las abrazaderas (A) con la mano. Afloje las tuercas de mariposa (C) y los pernos del pasador de montaje (F) con la llave de caja de 10 mm incluida, hasta que los accesorios se muevan fácilmente en cualquier dirección.

NOTA: En caso de tubos de mayor diámetro, es probable que deban retirarse por completo los tornillos de las abrazaderas.

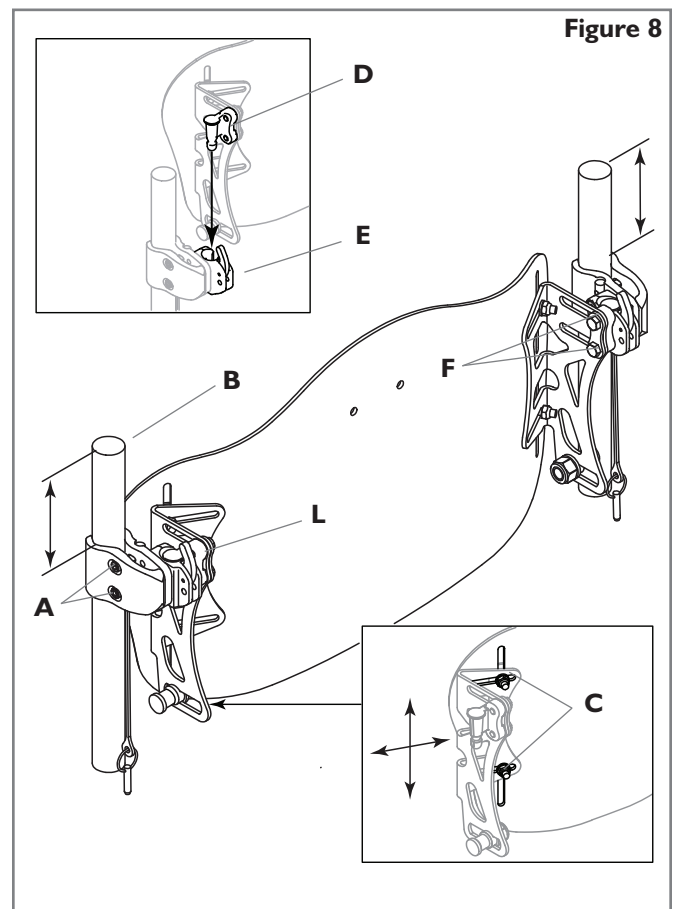
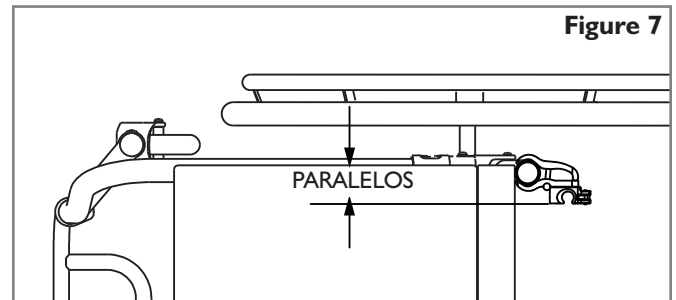
4. Coloque el cojín J3 instalando los pernos del pasador de montaje (D) izquierdo y derecho en los receptáculos del seguro izquierdo y derecho (E).
5. Instale el respaldo en su ubicación aproximada, en relación al usuario y a la silla de ruedas.
6. Apriete los pernos en la parte interna del pasador de montaje (F). Use un parámetro de tensión de 100 a 110 pulg.-lbs. (11,3 – 12,4 Nm).

NOTA: Es posible que los receptáculos requieran ajustes laterales adicionales para garantizar una alineación correcta.

7. Apriete las tuercas de mariposa (C). Use un parámetro de tensión de 75 a 85 pulg.-lbs. (8,5 a 9,3 Nm).

NOTA: Es posible que deba realizar ajustes adicionales a la altura del respaldo para permitir una adaptación apropiada al usuario.

8. Compruebe el mecanismo de liberación del respaldo oprimiendo las palancas de liberación (L) hacia delante y retirando el respaldo de la silla. Se obtiene una alineación correcta de los accesorios de montaje y el respaldo cuando éste último puede fijarse y retirarse sin problemas.
9. Si no obtiene una alineación adecuada, ajuste los componentes hasta que queden alineados correctamente.
10. Una vez que estén alineados correctamente, apriete los tornillos de la abrazadera receptora (A). Use un parámetro de tensión de 75 a 85 pulg.-lbs. (8,5 – 9,3 Nm).
11. Afloje los pernos (G) para instalar los receptáculos inferiores en los bastones (H).
12. Utilice una llave de caja de 5/8 pulg. para aflojar la tuerca (K) que asegura el pasador de montaje inferior (I) para deslizarlo hacia delante y atrás.



13. Deslice el receptáculo inferior hacia arriba (J) hasta que se encuentre alrededor del pasador de montaje inferior (I).

NOTA: Deje un espacio de 1/8 a 1/4 pulg. (3 mm a 6 mm) entre la parte de abajo del pasador de montaje inferior (I) y la parte de abajo del canal receptor inferior (J).

NOTA: Cerciórese que la abrazadera de montaje superior y la abrazadera receptora inferior estén alineadas con los bastones. Una mala alineación de las abrazaderas puede ocasionar problemas de la función de liberación rápida.

14. Una vez que estén alineadas correctamente, apriete los tornillos de la abrazadera receptora (G). Los parámetros de tensión recomendada son de 75 a 85 pulg.-lbs. (8,5 a 9,3 Nm). Enseguida apriete la tuerca del pasador de montaje inferior (K). Use un parámetro de tensión de 100 a 110 pulg.-lbs. (11,3 – 12,4 Nm).

15. Compruebe el mecanismo de liberación del respaldo oprimiendo las palancas de liberación (L) hacia delante y retirando el respaldo de la silla. (Consulte la sección Retirada y Nueva Colocación para conocer los detalles.) Se obtiene una alineación correcta del accesorio de montaje y del respaldo cuando éste último puede fijarse y retirarse sin problemas.

16. Si no obtiene una alineación adecuada, ajuste los componentes hasta que queden alineados correctamente.

17. Para realizar los ajustes finos, afloje los pernos C y F. De esta manera puede hacer modificaciones menores en la altura, profundidad y ángulo. Vuelva a apretar los pernos según las especificaciones requeridas y compruebe la función del respaldo y de liberación rápida.

18. O bien, para realizar ajustes mayores, afloje los pernos G, C y F (Fig. 8, 9), teniendo cuidado de no retirarlos. Coloque el respaldo a la altura, profundidad y ángulo deseados.

19. Vuelva a apretar los pernos según las especificaciones requeridas y compruebe la función del respaldo y de liberación rápida.

Ajuste de los accesorios de cuatro puntos

Para realizar los ajustes finos, afloje los pernos C y F. De esta manera puede hacer modificaciones menores en la altura, profundidad y ángulo. Vuelva a apretar los pernos según las especificaciones requeridas y compruebe la función del respaldo y de liberación rápida.

O bien, para realizar ajustes mayores, afloje los pernos G, C y F (Fig. 8, 9), teniendo cuidado de no retirarlos. Coloque el respaldo a la altura, profundidad y ángulo deseados. Vuelva a apretar los pernos según las especificaciones requeridas y compruebe la función del respaldo y de liberación rápida.

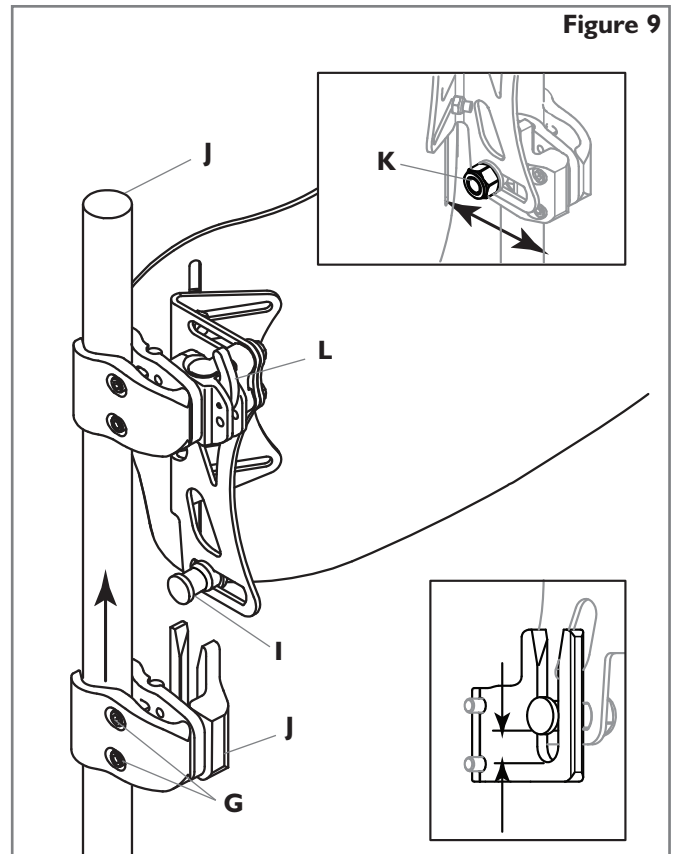


Figure 9

INSTALACIÓN DE LOS ACCESORIOS DE MONTAJE LIGERO (LITE) (FIG. 10, 11)

1. Afloje el perno (A) en cada abrazadera.
2. Deslice las cuatro abrazaderas en los tubos del bastidor del respaldo (B).

NOTA: Todos los accesorios de montaje ligero (Lite) se envían con espaciadores (C) opcionales para ser utilizados como sea necesario en los postes traseros que sean menores de una pulgada (2,54 cm) de diámetro.

3. Instale el respaldo en los accesorios de montaje ligero utilizando los pernos (D).
4. Ajuste la altura y la posición del respaldo y apriete los pernos.

NOTA: En tubos del bastidor del respaldo con asideros de empuje moldeados o fijos permanentemente, deberá retirar los tubos del bastidor y deslizar los accesorios de montaje desde la parte inferior.

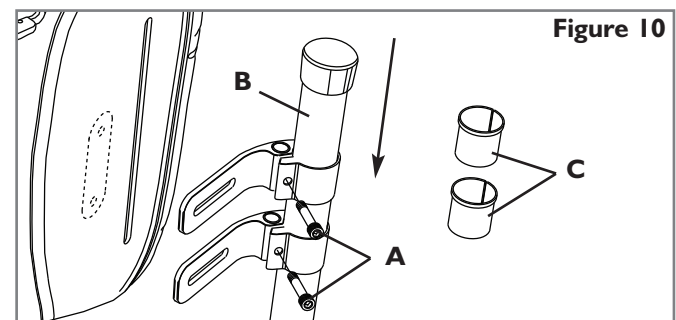


Figure 10

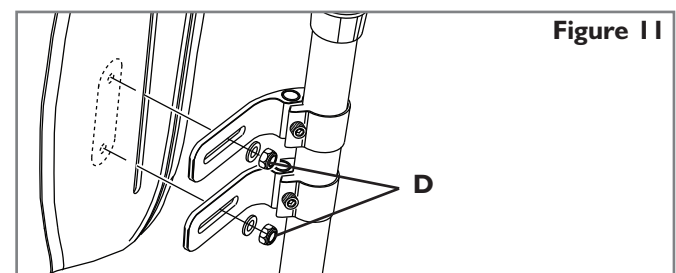


Figure 11

AJUSTE DE ALTURA, PROFUNDIDAD Y ÁNGULO EN J3

La primera fase de la instalación de las piezas de ajuste del respaldo J3 está completa. Es el momento de sentar al usuario en la silla para personalizar la posición del respaldo J3. No permita que el usuario ejerza demasiada presión sobre el respaldo, ya que no está ajustado totalmente según las especificaciones de torsión.

1. Ajuste de altura (Fig. 12)

- Con el usuario sentado en la silla, seleccione la altura deseada del respaldo. Una vez seleccionada, solicite al usuario que aligere la presión sobre el respaldo, incorporándose o deslizándose parcialmente hacia delante, para poder llevar a cabo el ajuste final.
- Afloje las tuercas del soporte (A) y ajuste la altura de la estructura del respaldo en la posición deseada.
- Ajuste con firmeza las tuercas del soporte (A). La torsión de ajuste recomendada es de 75 - 85 pulg-lbs (8,5 - 9,3 Nm).

NOTA: Cuando haya completado el ajuste de altura, compruebe que la anchura no se haya modificado inadvertidamente.

2. Ajuste de ángulo y profundidad (Figs. 13, 14, 15, 16)

Tenga en cuenta que puede solicitar dos tipos de piezas del sistema de fijación: las estándar (Fig. 13) o las piezas más largas y ajustables (Fig. 14). Ambos juegos de piezas se ajustan de la misma manera, pero las estándar sólo permiten dos pulgadas de ajuste de profundidad (Fig. 13) mientras que las piezas extensibles (o ajustables) permiten un total de 3,4 pulgadas de ajuste de profundidad (Fig. 14).

- Para ajustar la profundidad y el ángulo del respaldo J3, afloje los pernos izquierda y derecha (Fig. 16-B) de las ranuras del soporte.
- Ajuste la altura y/o el ángulo y fíjelos con firmeza. La torsión de ajuste recomendada es de 100 - 110 pulg-lbs (11,3 - 12,4 Nm). Compruebe que ninguna de las tuercas de ajuste de profundidad (Fig 16-B) se deslicen o roten.
- Si se necesita más profundidad, retire el respaldo de los receptores. Retire los tornillos (Figs. 13-D, 14-D) del receptor utilizando la llave hexagonal de 4 mm incluida, y vuelva a ubicarlos a la profundidad deseada. Ajuste los tornillos a 25-35 pulg-lbs. (2,8 - 4 Nm).

⚠ ADVERTENCIA

Compruebe que todas las piezas de fijación se han instalado adecuadamente una vez que todos los ajustes se hayan completado y el respaldo J3 estará listo para ser utilizado.

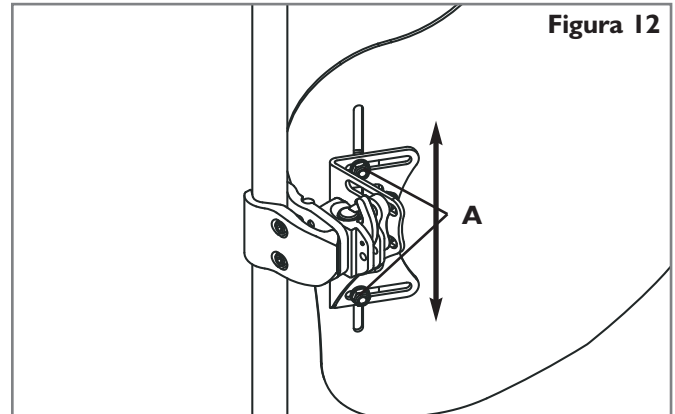
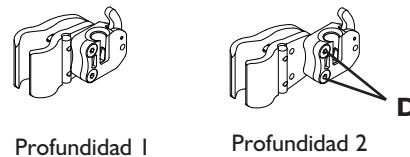
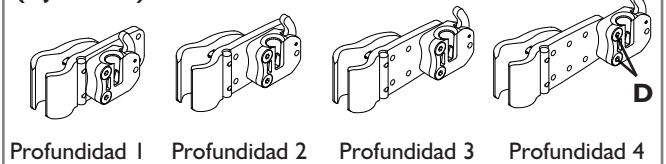


Figura 12

Piezas del sistema de fijación estándar: 2 configuraciones de profundidad Figura 13



Piezas del sistema de fijación extensibles (Ajustable) Figura 14



Accesorios de cuatro puntos Receptáculos inferiores Figure 15

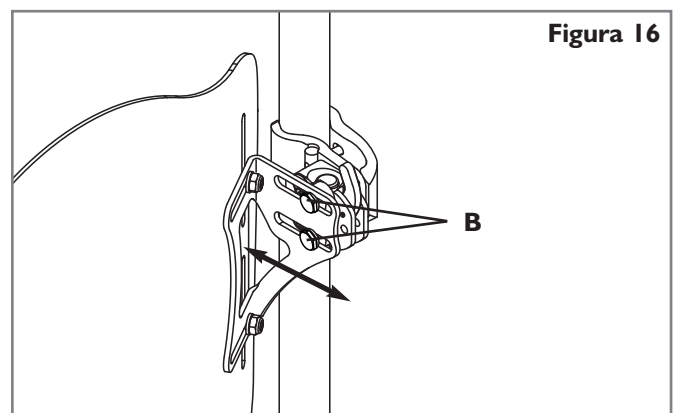
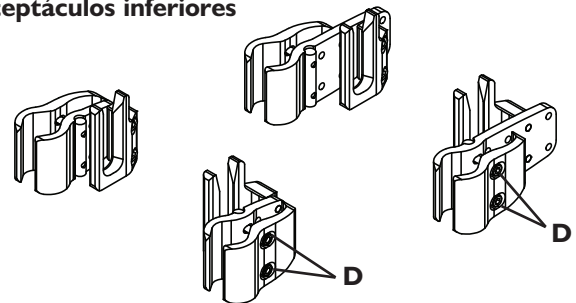


Figura 16

INSTALACIÓN DE LA SOLAPA DECORATIVA

1. Levante la solapa superior de la cubierta del respaldo J3 (Fig. 17)
2. Haga coincidir el material de bucle y gancho, y fije la solapa decorativa en la parte posterior de la cubierta del respaldo J3 (Fig. 17). Vuelva a colocar la solapa superior de la cubierta de manera que la solapa decorativa quede metida entre las solapas superiores e inferiores (Fig. 18).
3. Retire el cojín del asiento de la silla de ruedas y meta la porción inferior de la solapa decorativa entre la superficie de apoyo de la silla y el cojín del asiento (Fig. 20).
4. Ajuste la solapa decorativa como sea necesario moviendo la porción inferior hacia dentro o hacia fuera por debajo del cojín del asiento. De ser necesario, puede mover la porción superior de la solapa decorativa hacia arriba o hacia abajo en el respaldo del asiento.
5. Inserte las correas de bucle y gancho a través de los anillos apropiados de la solapa decorativa, y enseguida envuélvalas alrededor del bastidor de la silla de ruedas insertando el extremo anterior a través del extremo ranurado de la correa (Fig. 21). Ajuste y alise los pliegues en la solapa decorativa (Fig. 22).



Figure 17



Figure 18



Figure 19



Figure 20



Figure 21



Figure 22



Figure 23

Aspecto final de la instalación de la solapa decorativa

COMPONENTES DE POSICIONAMIENTO DE ALINEACIÓN VERTEBRAL

Los componentes de posicionamiento de alineación vertebral están diseñados para proporcionar una sujeción ergonómica en un respaldo "separado de la estructura principal". (Según la disponibilidad de mercado, los componentes de alineación vertebral pueden estar incluidos en su respaldo). Para instalar los componentes de alineación vertebral, lea las siguientes indicaciones.

Instalación de los componentes de posicionamiento de alineación vertebral

1. Solicite al usuario que retire la presión del respaldo J3 incorporándose o deslizándose parcialmente hacia delante, en la medida de lo posible.
2. Desprenda la cinta de Velcro de la parte superior de la funda (Fig. 24) y retire la funda para dejar visible el interior del respaldo J3.
3. Coloque los componentes de posicionamiento con el Velcro ubicado dentro de la estructura (Fig. 25) y vuelva a poner la funda. Tire hacia abajo para comprobar que la costura superior quede alineada con la parte superior de la estructura. Si la costura no queda alineada, es posible que necesite aflojar la parte inferior (Fig. 26).
4. Deje que el usuario pruebe la comodidad y soporte de la alineación vertebral actual o repita los pasos a-c hasta que el ajuste se haya completado satisfactoriamente.
5. Se pueden utilizar varias combinaciones y configuraciones de componentes de alineación vertebral. Si necesita formas o tallas de alineación vertebral adicionales, comuníquese con su representante local o con Sunrise Medical al teléfono 800-333-4000.

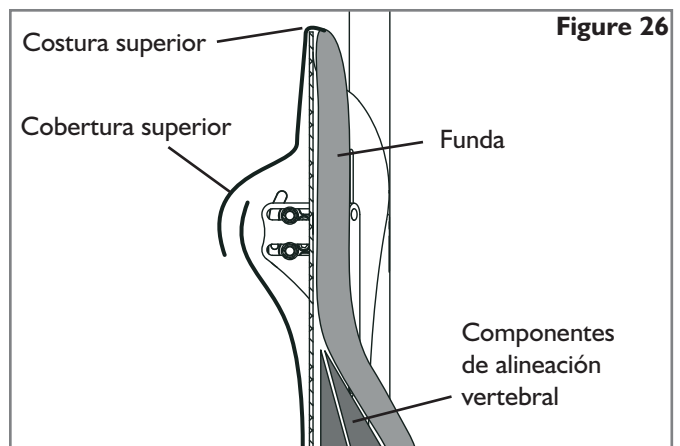
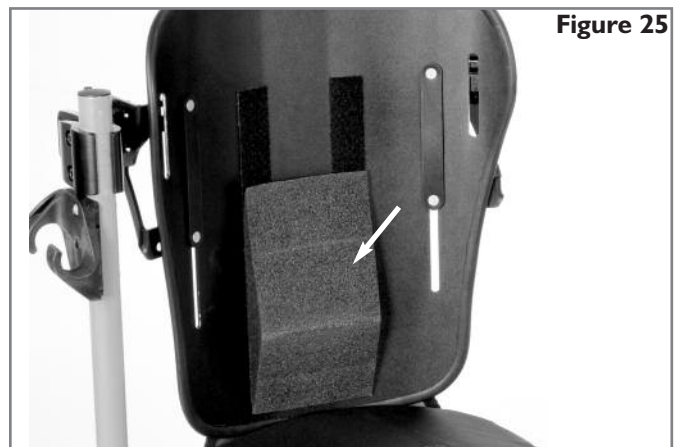
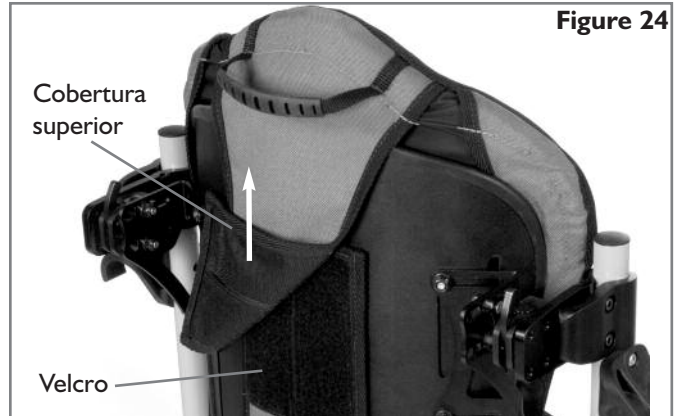
NOTA: Si necesita más información sobre el sistema de alineación vertebral del respaldo J3, consulte nuestra animación en www.sunrisemedical.com.

La instalación del respaldo J3 está completada.

Componentes de posicionamiento	
Lumbar grande	
Lumbar pequeño	
Cuña	
Taco curvado	
Taco plano	
Trasero lateral/pélvico	
Taco lateral	
Saco relleno grande	
Saco relleno pequeño	

ACCESORIOS DE J3

Si ha solicitado accesorios de J3 tales como laterales, apoyacabezas o arneses, consulte las instrucciones de instalación relacionadas con dichos elementos.



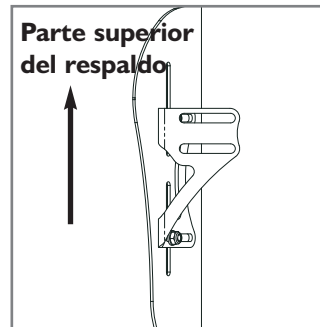
SEGURIDAD EN TRÁNSITO DEL RESPALDO

El respaldo J3 ha sido dinámicamente probado para su utilización en un vehículo a motor. Siga todas las instrucciones de instalación, uso y mantenimiento que se incluyen en este manual además de las instrucciones de transporte citadas a continuación.

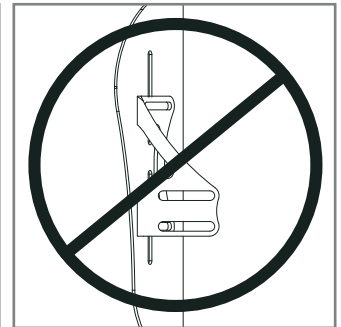
⚠️ ADVERTENCIA

1. De ser posible y viable, el usuario de la silla de ruedas debe trasladarse al asiento original de fábrica del vehículo y utilizar el sistema de sujeción de seguridad provisto por el sistema de transporte.
2. La distancia entre la parte superior del hombro del usuario y la parte superior del respaldo no debe exceder los 16,5 cm.
3. La silla de ruedas debe contener la especificación de uso apropiado como asiento en un vehículo de motor, y debe estar dinámicamente probada según los requisitos de rendimiento de prueba de la norma ISO 7176-19. Además, debe ser instalada, usada y mantenida según las instrucciones del fabricante.
4. Si el asiento original de la silla de ruedas fue reemplazado, el nuevo asiento debe contar con la aprobación para sillas de ruedas en vehículos de transporte. Además debe ser instalado y usado según las instrucciones del fabricante.
5. El sistema de sujeción de seguridad en vehículos de transporte (WTORS) debe ser compatible con la silla de ruedas, debe cumplir con los requisitos de rendimiento de la norma ISO 10542 y debe ser usado según las instrucciones del fabricante.
6. La silla de ruedas debe ubicarse mirando hacia delante durante el transporte.
7. A fin de reducir el riesgo de lesiones de los ocupantes del vehículo, los accesorios montados en la silla de ruedas, tales como bandejas y equipamiento respiratorio deben extraerse y almacenarse por separado.
8. Este producto está diseñado para ser utilizado por adultos cuyo peso varíe entre 35 y 136 kg s o hasta 500 lbs. (227 kg) para anchos de más de 22 pulg.

9. No deben considerarse como sistemas de sujeción de seguridad los dispositivos de soporte postural, tales como cinturones de posicionamiento pélvicos, soporte torácico o demás soportes posturales, como los torácicos laterales para un vehículo en movimiento, a menos que cumplan con la norma ISO 16840-4.
10. No se deben efectuar alteraciones ni sustituciones en la estructura, piezas o componentes sin antes consultar con el fabricante.
11. El soporte de montaje de la estructura del respaldo debe estar insertado en la posición de "pierna en alto" durante el uso en tránsito. (Ver más abajo.) Consulte la sección apropiada para conocer las instrucciones de montaje correcto de los accesorios del respaldo.



Posición correcta del soporte durante el tránsito



Posición incorrecta del soporte durante el tránsito

⚠️ ADVERTENCIA

SI NO SIGUE ESTAS ADVERTENCIAS, PUEDE PROVOCAR LESIONES GRAVES AL USUARIO DE LA SILLA DE RUEDAS O DEMÁS PASAJEROS.

Vea la paginación siguiente para los números de parte aprobados para uso en un vehículo de motor.

NÚMEROS DE PARTE DE PRODUCTOS APROBADOS PARA USO EN UN VEHÍCULO DE MOTOR:

Respaldos

Números de parte UT aprobados para uso en un vehículo de motor.*

J3PAUTS14SH	J3PLUTS16SH	J3PDLUTS18SH	J3PAUTS14FS	J3PLUTT14FS	J3PDLUTT16FS
J3PAUTM14SH	J3PLUTM16SH	J3PDLUTM18SH	J3PAUTM14FS	J3PLUTS16FS	J3PDLUTS18FS
J3PAUTT14SH	J3PLUTT16SH	J3PDLUTT18SH	J3PAUTT14FS	J3PLUTM16FS	J3PDLUTM18FS
J3PAUTS16SH	J3PLUTS18SH	J3PDLUTS20SH	J3PAUTS16FS	J3PLUTT16FS	J3PDLUTT18FS
J3PAUTM16SH	J3PLUTM18SH	J3PDLUTM20SH	J3PAUTM16FS	J3PLUTS18FS	J3PDLUTS20FS
J3PAUTT16SH	J3PLUTT18SH	J3PDLUTT20SH	J3PAUTT16FS	J3PLUTM18FS	J3PDLUTM20FS
J3PAUTS18SH	J3PLUTS20SH	J3PAUTS12SH	J3PAUTS18FS	J3PLUTT18FS	J3PDLUTT20FS
J3PAUTM18SH	J3PLUTM20SH	J3PLUTS12SH	J3PAUTM18FS	J3PLUTS20FS	J3PDCUTM14FS
J3PAUTT18SH	J3PLUTT20SH	J3PAUTM24FS	J3PAUTT18FS	J3PLUTM20FS	J3PDCUTM16FS
J3PAUTS20SH	J3PDLUTS14SH	J3PAUTM22FS	J3PAUTS20FS	J3PLUTT20FS	J3PDCUTM18FS
J3PAUTM20SH	J3PDLUTM14SH	J3PDCUTM14SH	J3PAUTM20FS	J3PDLUTS14FS	J3PDCUTM20FS
J3PAUTT20SH	J3PDLUTT14SH	J3PDCUTM16SH	J3PAUTM20FS	J3PDLUTM14FS	
J3PLUTS14SH	J3PDLUTS16SH	J3PDCUTM18SH	J3PLUTS12FS	J3PDLUTT14FS	
J3PLUTM14SH	J3PDLUTM16SH	J3PDCUTM20SH	J3PLUTS14FS	J3PDLUTS16FS	
J3PLUTT14SH	J3PDLUTT16SH	J3PAUTS12FS	J3PLUTM14FS	J3PDLUTM16FS	

Números de parte SH aprobados para uso en un vehículo de motor.*

J3PASHM16SH	J3PLSHM16SH	J3PDLSHM18SH	J3PASHM16FS	J3PLSHM18FS	J3PDLSHS20FS
J3PASHS14SH	J3PLSHS18SH	J3PDLSHT18SH	J3PASHS18FS	J3PLSHT18FS	J3PDLSHM20FS
J3PASHS16SH	J3PLSHM18SH	J3PDLSHS20SH	J3PASHM18FS	J3PLSHS20FS	J3PDLSHT20FS
J3PASHS18SH	J3PLSHT18SH	J3PDLSHM20SH	J3PASHT18FS	J3PLSHM20FS	J3PDCSHS16FS
J3PASHM18SH	J3PLSHS20SH	J3PDLSHT20SH	J3PASHS20FS	J3PLSHT20FS	J3PDCSHS18FS
J3PASHT18SH	J3PLSHM20SH	J3PASHS22FS	J3PASHM20FS	J3PDLSHS14FS	J3PDCSHS20FS
J3PASHS20SH	J3PLSHT20SH	J3PDCSHS16SH	J3PASHT20FS	J3PDLSHS16FS	
J3PASHM20SH	J3PDLSHS14SH	J3PDCSHS18SH	J3PLSHS14FS	J3PDLSHM16FS	
J3PASHT20SH	J3PDLSHS16SH	J3PDCSHS20SH	J3PLSHS16FS	J3PDLSHS18FS	
J3PLSHS14SH	J3PDLSHM16SH	J3PASHS14FS	J3PLSHM16FS	J3PDLSHM18FS	
J3PLSHS16SH	J3PDLSHS18SH	J3PASHS16FS	J3PLSHS18FS	J3PDLSHT18FS	

Números de parte MT aprobados para uso en un vehículo de motor.*

J3PAMTS12SH	J3PAMTT22FS	J3PAMTS12LM	J3PAMTM18LM	J3PLMTT14LM	J3PDCMTS14LM
J3PAMTM12SH	J3PAMTS22FS	J3PAMTM12LM	J3PAMTT18LM	J3PLMTS16LM	J3PDCMTT14LM
J3PAMTT12SH	J3PDCMTS14SH	J3PAMTT12LM	J3PAMTS20LM	J3PLMTM16LM	J3PDCMTS16LM
J3PLMTS12SH	J3PDCMTT14SH	J3PAMTS14LM	J3PAMTM20LM	J3PLMTT16LM	J3PDCMTT16LM
J3PLMTM12SH	J3PDCMTS16SH	J3PAMTM14LM	J3PAMTT20LM	J3PLMTS18LM	J3PDCMTS18LM
J3PLMTT12SH	J3PDCMTT16SH	J3PAMTT14LM	J3PLMTS12LM	J3PLMTM18LM	J3PDCMTT18LM
J3PAMTT26FS	J3PDCMTS18SH	J3PAMTS16LM	J3PLMTM12LM	J3PLMTT18LM	J3PDCMTS20LM
J3PAMTS26FS	J3PDCMTT18SH	J3PAMTM16LM	J3PLMTT12LM	J3PLMTS20LM	J3PDCMTT20LM
J3PAMTT24FS	J3PDCMTS20SH	J3PAMTT16LM	J3PLMTS14LM	J3PLMTM20LM	
J3PAMTS24FS	J3PDCMTT20SH	J3PAMTS18LM	J3PLMTM14LM	J3PLMTT20LM	

Números de parte LT aprobados para uso en un vehículo de motor.*

J3PALTM12SH	J3PDCLTT16SH	J3PALTT12LM	J3PALTM16LM	J3PALTT20LM	J3PDCLTM18LM
J3PALTT12SH	J3PDCLTM18SH	J3PALTS14LM	J3PALTT16LM	J3PDCLTM14LM	J3PDCLTT18LM
J3PDCLTM14SH	J3PDCLTT18SH	J3PALTM14LM	J3PALTS18LM	J3PDCLTT14LM	J3PDCLTT20LM
J3PDCLTT14SH	J3PDCLTT20SH	J3PALTT14LM	J3PALTM18LM	J3PDCLTM16LM	
J3PDCLTM16SH	J3PALTM12LM	J3PALTS16LM	J3PALTT18LM	J3PDCLTT16LM	

*Los números de parte listados, que terminan en "SH" y también estos números que terminan en "AH" han sido aprobados para uso en un vehículo de motor.

Reposacabezas

Los reposacabezas JAY J3 han sido sometidos a pruebas dinámicas para uso en un vehículo de motor.

NOTA- Las reposacabezas de felpa de 14 pulg. no han sido sometidos a pruebas para uso en un vehículo de motor. Por lo tanto, se desconoce el desempeño de un reposacabezas junto con los respaldos que han sido rotulados para uso en tránsito, cuando se utilizan como asiento en un vehículo de motor.

JNúmeros de parte de reposacabezas JAY J3 aprobados para uso en un vehículo de motor.

J3HEDX10	ART-Headrest, 10" Pad,AXYS	J3HEDC10	ART-Headrest, 10" Pad,Cobra	J3HEDF10	ART-Headrest, 10" Pad,CobraFB
J3HEDX8	ART-Headrest, 8" Pad,AXYS	J3HEDC8	ART-Headrest, 8" Pad,Cobra	J3HEDF8	ART-Headrest, 8" Pad,CobraFB
J3HEDXPM	ART-Headrest, Md C-Plu Pad,AXYS	J3HEDCPM	ART-Headrest, Md CPlu Pad,Cobra	J3HEDFPM	ART-Headrest, Md C-Pad,CobraFB
J3HEDXPL	ART-Headrest, Lg C-Plu Pad,AXYS	J3HEDCPL	ART-Headrest, Lg CPlu Pad,Cobra	J3HEDFPL	ART-Headrest, Lg C-Pad,CobraFB
J3HEDXCL	ART-Headrest, Lg Cradle,AXYS	J3HEDCCL	ART-Headrest, Lg Cradle,Cobra	J3HEDFCL	ART-Headrest, Lg Cradle,CobraFB
J3HEDXCM	ART-Headrest, Md Cradle,AXYS	J3HEDCCM	ART-Headrest, Md Cradle,Cobra	J3HEDFCM	ART-Headrest, Md Cradle,CobraFB

RETIRADA Y NUEVA COLOCACIÓN

Después de la instalación y ajuste, el Respaldo puede retirarse fácilmente de la silla de ruedas si es necesario. Para la extracción, empuje hacia delante de las palancas de liberación (Fig. 27). Una vez que ambas palancas están hacia delante, levante el respaldo verticalmente (Fig. 28) utilizando la empuñadura ubicada en la parte superior del respaldo.

Colocación adecuada después de su retirada

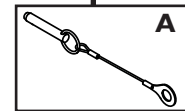
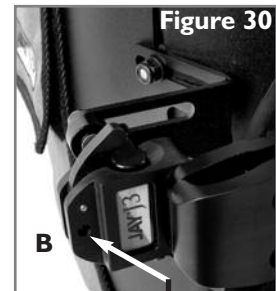
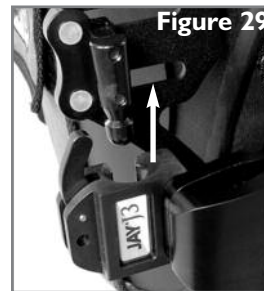
Para volver a insertar el respaldo en las piezas de fijación, simplemente alinee las clavijas con los receptores y empuje hasta ubicarlo en su lugar (Fig. 28). Si la ubicación es correcta, las clavijas harán un "clic" para establecer que han quedado bien colocadas.

⚠ ADVERTENCIA

Si no está seguro de haber escuchado el "clic", tire hacia arriba de la empuñadura del respaldo para comprobar que este ha quedado colocado correctamente.

Clavijas de ajuste (Fig. 30)

El respaldo J3 viene con dos clavijas de ajuste incluidas, que, una vez aseguradas, evitan que el respaldo se suelte de la silla. Para ajustarlas, inserte las clavijas (A) en los receptores de montaje (B). Simplemente retire las clavijas si desea hacer uso de la función de desmontaje rápido.



GARANTÍA

GARANTÍA LIMITADA DE 24 MESES

Cada respaldo J3 de contorno profundo es inspeccionado y testado cuidadosamente para proporcionar el mayor rendimiento. Cada respaldo J3 de contorno profundo tiene una garantía contra defectos de los materiales o de mano de obra durante un período de 24 meses a partir de la fecha de compra, si se usa de manera normal. En caso de presentarse defectos en los materiales o mano de obra dentro del período de 24 meses a partir de la fecha de compra original, Sunrise Medical, lo reparará o reemplazará sin cargo alguno. Esta garantía no se aplica a los pinchazos, rupturas o quemaduras, ni a la funda desmontable del respaldo.

Las reclamaciones y reparaciones serán atendidas a través del distribuidor autorizado Sunrise más cercano. Con excepción de las garantías expresas aquí establecidas, se excluyen todas las demás garantías, incluyendo las garantías implícitas de comercialización y las garantías de idoneidad para un propósito en particular. No existe ninguna garantía que se extienda fuera de la descripción aquí establecida. Los remedios por infracciones de las garantías expresas aquí establecidas están limitados a la reparación o sustitución de la mercancía. Los daños por infracción de cualquier garantía en ningún caso incluirán ningún daño consequential ni superarán el coste de los productos vendidos fuera de especificaciones.

Sunrise Medical conseille de consulter un médecin ou thérapeute spécialisé dans l'assise et le positionnement pour déterminer si un dossier J3 est approprié. Les dossiers ne doivent être installés que par un fournisseur d'équipement médical agréé Sunrise.

LE DOSSIER J3

Le dossier Jay J3 est conçu pour offrir à de nombreux usagers les avantages non négligeables d'un support dorsal adéquat. Il vise à assurer un support à la fois simple, confortable et efficace pour optimiser la mobilité et accroître la tolérance à la position assise. Il est en outre léger, robuste et facile d'emploi.

Poids maximal de l'utilisateur :

136 kg. (300 lb)

227 kg (500 lb) pour les largeurs de 56 cm (22 po),

61 cm (24 po) et 66 cm (26 po)

⚠ AVERTISSEMENT

L'installation d'un dossier sur un fauteuil roulant peut affecter le centre de gravité de ce dernier, le faire basculer en arrière et blesser l'utilisateur.

Évaluez toujours la nécessité de dispositifs anti-basculement ou d'adaptateurs d'essieux pour amputés à ajouter au fauteuil pour en améliorer la stabilité.

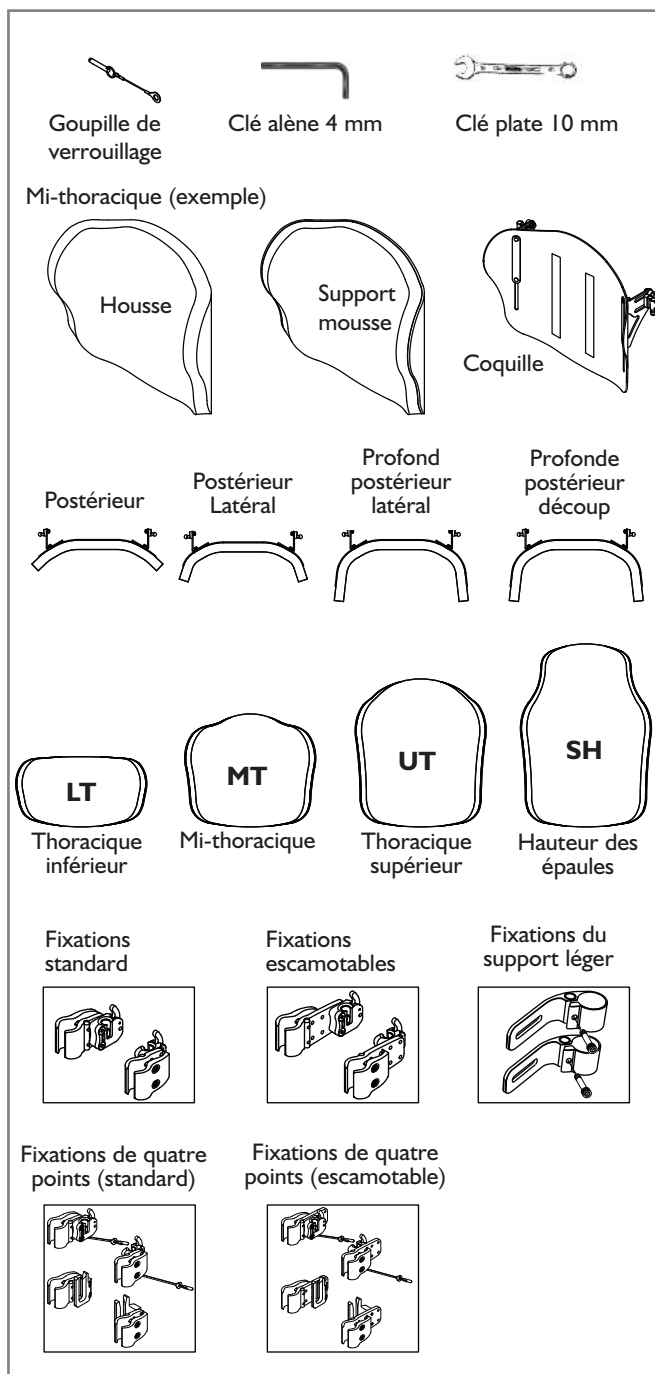
⚠ AVERTISSEMENT

N'utilisez pas le dossier J3 pour pousser ou soulever le fauteuil. Un usage inapproprié peut provoquer le détachement imprévu du dossier du fauteuil.

⚠ AVERTISSEMENT

Ne pas utiliser la poignée du dossier J3 pour soulever le fauteuil roulant. Cette poignée ne sert qu'à démonter le dossier.

DOSSIER J3 ET ACCESSOIRES



ENTRETIEN ET COUPLES DE SERRAGE

Sunrise conseille de vérifier les attaches tous les 6 mois pour s'assurer de l'absence d'usure, de boulons desserrés ou de composants cassés. Les attaches desserrées doivent être resserrées suivant les instructions d'installation. Toutes les fixations doivent être serrées selon les spécifications de couple de serrage conformément au chapitre Installation des fixations. Contactez immédiatement le fournisseur agréé Sunrise pour le remplacement de tout composant cassé. Ne continuez pas à utiliser le système après avoir constaté que des composants sont desserrés ou cassés.

NETTOYAGE FACILE

NOTE– Lors du démontage du dossier pour son nettoyage, prenez note de la position de l'élément d'alignement lombaire Velcro® pour effectuer un remontage correct.

Pour nettoyer la housse du dossier

Ôtez la housse en détachant la bande Velcro. Détachez le coussin Velcro de la coquille arrière. Localisez la fermeture éclair sous la housse et ouvrez-la. Retirez la mousse et mettez-la à l'envers. Refermez la fermeture à glissière pour éviter les accrocs. Le cas échéant, notez l'emplacement des éléments de positionnement pour assurer un réassemblage correct. Lavez au lave-linge à l'eau tiède (50°C). Essorez ou séchez à faible température.

REMARQUE : Les housses ne doivent pas être nettoyées à sec ni dans des lave-linge, ni dans des sèche-linge industriels. N'utilisez pas d'auto-clave. N'utilisez pas d'agents de blanchiment.

Remettez la mousse dans la housse. A noter que le support est composé de deux couches de mousse. Au moment de réinsérer la mousse, vérifiez que la mousse plus fine de couleur gris clair fait face à la coque. Après avoir inséré la mousse dans la housse, fermez la fermeture à glissière.






Pour nettoyer la coque

La coque peut être nettoyée à l'eau et au savon. Aucun autre entretien n'est nécessaire.

Pour le nettoyage des éléments de positionnement.

Les éléments de positionnement peuvent être nettoyés à l'eau savonneuse. Ne pas immerger les éléments de positionnement.

Si vous avez d'autres questions concernant ces procédures de nettoyage, veuillez contacter votre distributeur de matériel Sunrise Medical.

Symboles de nettoyage	
	Lavez à la machine à l'eau tiède (50° C)
	N'utilisez que des nettoyants sans chlore si un tel nettoyage est nécessaire
	Essorez jusqu'au séchage complet
	Ne pas repasser
	Ne pas nettoyer à sec

DÉTERMINATION DE COMPATIBILITÉ

Types de fauteuils roulants

Le dossier J3 est conçu pour s'adapter à la plupart des fauteuils roulants, excepté dans le cas suivant :

les fauteuils à dossier réglable en angle qui basculent ou s'inclinent et sur lesquels le dossier forme un angle de plus de 60 degrés par rapport à la perpendiculaire ne doivent pas être utilisés.

AVERTISSEMENT

Le dossier utilisé avec ce type de fauteuil peut s'en détacher accidentellement, entraînant une chute et des blessures potentiellement graves.

Dimensions du fauteuil

Le dossier J3 est conçu pour remplacer le dossier à toile du fauteuil. Avant le montage, il faut déterminer si le fauteuil roulant possède des tubes adaptés, et mesurer la largeur entre les tubes arrière, comme le montre la figure 1. Puis, à l'aide de ces mesures, vérifier dans le tableau 1 pour savoir si le dossier convient à votre fauteuil.

Vérifiez ensuite que leur diamètre est compatible (Tableau 2). Le dossier J3 peut être monté sur des tubes de diamètre 1,9 cm à 2,85 cm. Mesurez le diamètre de vos tubes (Fig. 2) et référez-vous au tableau 2 pour vous assurer que les tubes arrière sont compatibles.

Si vous ne pouvez pas déterminer la compatibilité des tubes de dossier, veuillez vous adresser au fournisseur d'équipement médical agréé Sunrise ou au Service après-vente Sunrise.

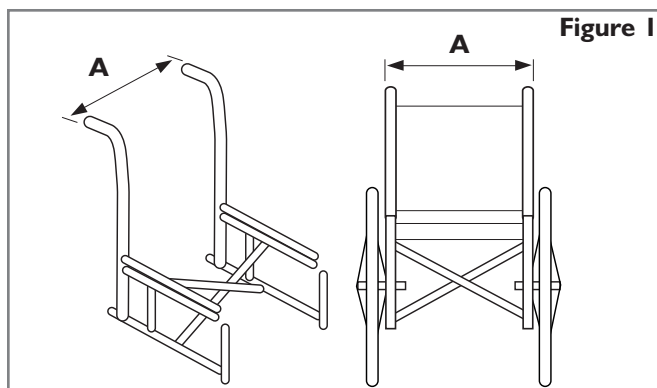


Figure 1

Largeur du dossier J3* (tous profils)	La largeur des montants arrière de l'extérieur à l'extérieur des tubes (Fig. 1-A)			
	Largeur minimum cm		Largeur maximale cm	
14"	13.7	34.9	16.3	41.3
16"	15.7	40.0	18.3	46.4
18"	17.7	45.1	20.3	54.5
20"	19.7	50.1	22.3	56.5

Tableau 1

* La largeur du dossier est précisée dans le numéro identifiant du dossier. Exemple: J3PAMTS14 SH équivaut à un dossier de largeur 35,5 cm.

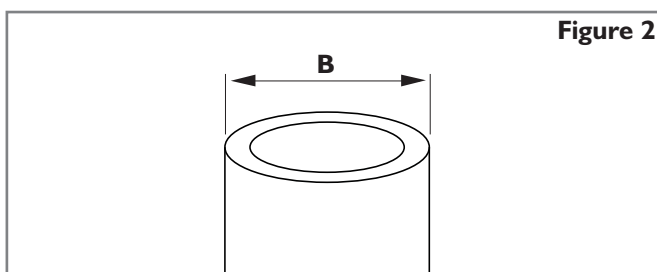


Figure 2

Largeur de dossier J3 (tous profils)	diamètre des cannes (Fig. 2)			
	Anchura mínima pulg. cm		Anchura máxima pulg. cm	
14" - 20"	3/4	1.9	1 1/8	2.85

Tableau 2

MONTAGE DES FIXATIONS

Veuillez lire les instructions suivantes avant de commencer le montage.

Installer le dossier J3 dans un un 1er temps sans utilisateur dans le fauteuil roulant. Une fois le dossier installé, il faut procéder aux réglages mineurs pendant que l'utilisateur est assis dans le fauteuil.

Outils requis (fournis avec le dossier)

- Clé alène 4 mm



- Clé plate 10 mm



Instructions de montage des fixations (Figs. 3, 4, 5)

1. Ôtez le dossier d'origine du fauteuil en suivant les instructions du fabricant.
2. Déterminez l'emplacement des pinces de fixation sur les montants arrière du fauteuil. Les fixations doivent être à hauteur égale sur chacun des montants (Fig. 3) et parallèles au cadre de l'assise (Fig. 4). En général, on préférera un support plus haut sur les montants.
3. Fixez les pinces de fixation. (Fig. 5)
 - a. Désserrez les vis de serrage (A) avec les clés alène de 4 mm fournies. REMARQUE – pour des tubes de large diamètre, il sera peut-être nécessaire de déserrer complètement les vis de serrage.
 - b. Fixez et serrez les pinces de fixation aux montants du fauteuil (B).
 - c. Serrez les vis de serrage à la main (A). REMARQUE – les pinces de fixation peuvent nécessiter un réglage latéral supplémentaire pour un alignement correct.

Fixation et alignement de la coquille de dossier J3 (Fig. 6)

1. Désserrez les écrous de la pince de fixation (C) et les boulons de verrouillage (F) à l'aide d'une clé plate de 10 mm jusqu'à ce que les fixations soient mobiles dans toutes les directions.
2. Fixez le dossier J3 à toutes les pinces de fixation en insérant les écrous freins gauches et droits (D) dans les pinces de fixation (E).
3. Placez le dossier dans sa position standard, en fonction du fauteuil et de l'utilisateur.
4. Serrez les boulons qui se trouvent à l'intérieur du cadre, sur la tige de fixation des goupilles de verrouillage (F). Les spécifications de couple de serrage sont de 11,3 - 12,4 Nm (100 - 110 in-lbs). REMARQUE – Un réglage supplémentaire de la profondeur et de l'inclinaison du dossier peut être nécessaire pour une adaptation optimisée à l'utilisateur.
5. Serrez les écrous (C). Les spécifications de couple de serrage sont de 8,5 - 9,3 Nm (75 - 85 in-lbs). REMARQUE - il faudra peut-être régler la hauteur du dossier pour convenir au dos de l'utilisateur.
6. Testez les leviers de désengagement en poussant les leviers de désengagement vers l'avant et en démontant le dossier du fauteuil. (Voir la section démontage et remontage pour de plus amples détails.). Un alignement correct des fixations et du dossier est réussi s'il est possible de fixer et de désengager le matériel aisément.
7. Si l'alignement n'est pas réussi, procédez au réglage des éléments jusqu'à l'alignement correct.
8. Une fois que l'alignement est correct, serrez les écrous de serrage des pinces de fixation. Les spécifications de couple de serrage sont de 8,5 - 9,3 Nm (75 - 85 in-lbs).

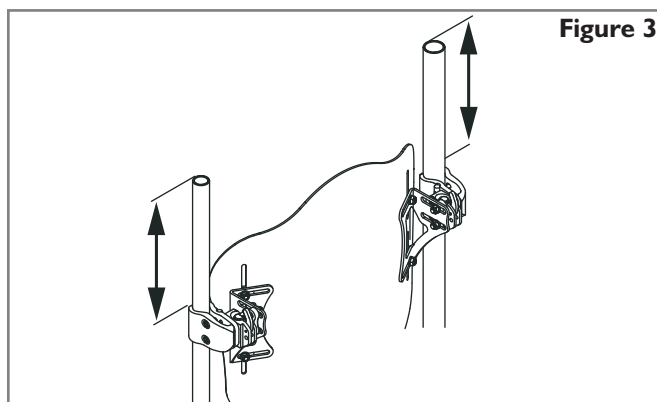


Figure 3

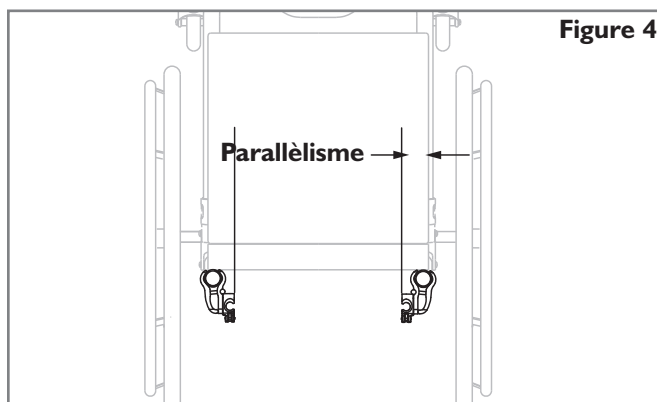


Figure 4

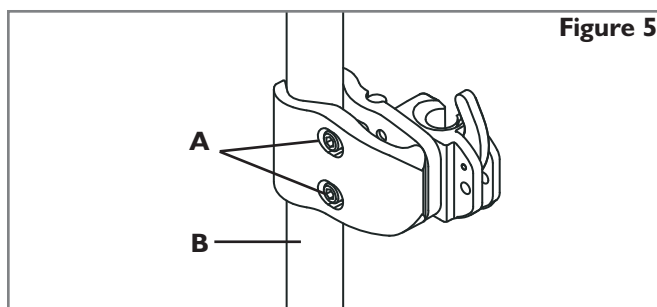


Figure 5

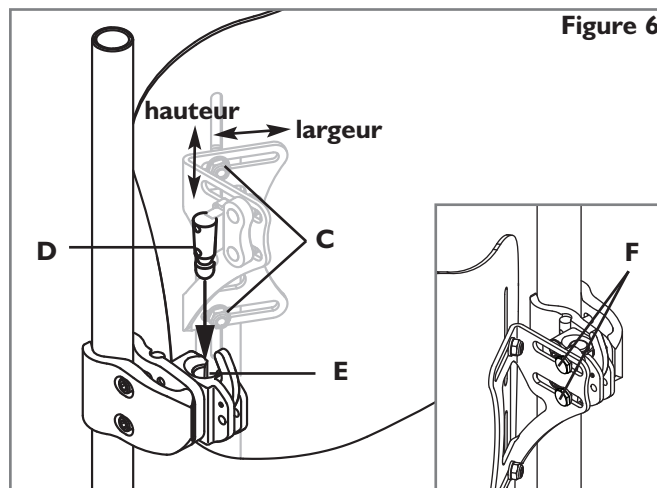


Figure 6

INSTALLATION DES QUATRE POINTS DE FIXATION (FACULTATIF) (FIG. 7, 8, 9)

Outils requis (fournis avec le dossier J3 à quatre points de fixation)

- clé à lèvre 4 mm



- clé plate 10 mm



- clé plate 16 mm



Instructions de montage des quatre points de fixation

1. Desserrez les vis de serrage (A) avec la clé à lèvre de 4 mm fournie et glissez les colliers autour des tubes du dossier (B).
2. Les fixations doivent être à hauteur égale sur chaque montant arrière (Fig. 8) et parallèles au cadre de l'assise (Fig. 7).
3. Serrez les vis de serrage à la main (A). Desserrez les écrous de la pince de fixation (C) et les boulons de verrouillage (F) à l'aide de la clé plate de 10 mm jusqu'à ce que les fixations soient mobiles dans toutes les directions.

REMARQUE : pour les tubes de large diamètre, il peut être nécessaire de retirer complètement les vis de serrage.

4. Fixez le dossier J3 en insérant les écrous freins gauches et droits (D) dans les pinces de fixation gauche et droite (E).
5. Placez le dossier dans une position approximative, en fonction du fauteuil et de l'utilisateur.
6. Serrez les boulons qui se trouvent à l'intérieur sur la tige de fixation des goupilles de verrouillage (F). Les spécifications de couple de serrage sont de 11,3 - 12,4 Nm (100 - 110 po/lb).

REMARQUE : un réglage latéral supplémentaire peut être nécessaire pour assurer un bon alignement des fixations.

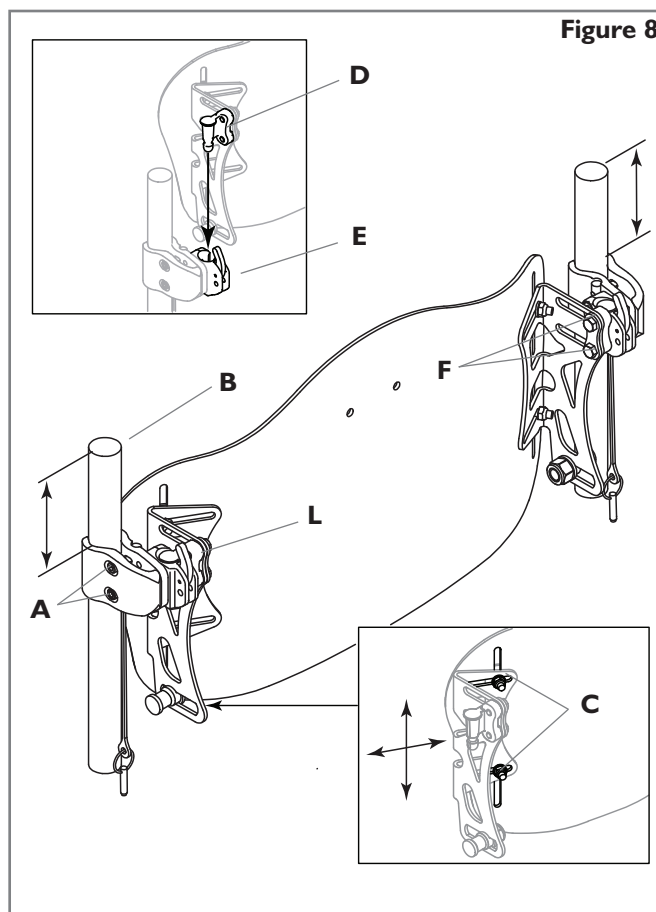
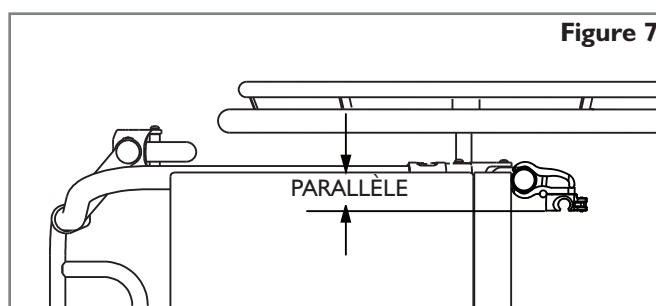
7. Resserrez les écrous (C). Les spécifications de couple de serrage sont de 8,5 - 9,3 Nm (75 - 85 po/lb).

REMARQUE : il peut être nécessaire de régler la hauteur du dossier pour convenir au dos de l'utilisateur.

8. Testez les leviers de désengagement (L) en les poussant vers l'avant et en démontant le dossier du fauteuil. Un alignement correct des fixations et du dossier est réussi s'il est possible de fixer et de désengager le matériel aisément.
9. Si l'alignement n'est pas réussi, procédez au réglage des éléments jusqu'à l'alignement correct.
10. Une fois que l'alignement est correct, serrez les écrous de serrage des pinces de fixation (A). Les spécifications de couple de serrage sont de 8,5 - 9,3 Nm (75 - 85 po/lb).
11. Desserrez les boulons (G) pour fixer le rail inférieur aux tubes du dossier (H).
12. Utilisez la clé 16 mm pour desserrer les écrous (K) qui maintiennent la partie inférieure de la tige de fixation des goupilles de verrouillage (I) pour les faire glisser d'avant en arrière.
13. Glissez le rail inférieur (J) vers le haut jusqu'à la partie inférieure de la tige de fixation des goupilles de verrouillage (I).

REMARQUE : laissez 0,3 cm (1/8 po) à 0,63 cm (1/4 po) entre le bas de la tige de fixation des goupilles de verrouillage et le bas du canal du rail inférieur (J).

REMARQUE : le support de montage supérieur doit être aligné au support du



rail inférieur au niveau des tubes de dossier. Un alignement incorrect des supports peut gêner la fonction de déblocage rapide.

14. Une fois que l'alignement est correct, serrez les écrous de serrage des pinces de fixation (G). Les spécifications de couple de serrage recommandées sont de 8,5 - 9,3 Nm (75 - 85 po/lb). Puis, serrez les vis du bas de la tige de fixation des goupilles de verrouillage (K). Les spécifications de couple de serrage sont de 11,3 - 12,4 Nm (100 - 110 po/lb).
15. Testez les leviers de désengagement (L) en les poussant vers l'avant et en démontant le dossier du fauteuil. (Voir la section Dépose et remise en place pour de plus amples détails.) Un alignement correct des fixations et du dossier est réussi s'il est possible de fixer et de désengager le matériel aisément.
16. Si l'alignement n'est pas réussi, procédez au réglage des éléments jusqu'à l'alignement correct.
17. Pour des réglages de précision, desserrez les boulons C et F, et ajustez la hauteur, la profondeur et l'inclinaison. Resserrez tous les boulons aux spécifications demandées et testez les fonctions du dossier et le déblocage rapide.
18. Pour des ajustements plus importants, desserrez les boulons G, C et F (Fig. 8, 9) sans les retirer, puis positionnez le dossier à la hauteur, profondeur et inclinaison désirées.
19. Resserrez tous les boulons aux spécifications demandées et testez les fonctions du dossier et le déblocage rapide.

Ajustement des quatre points de fixation

Pour des réglages de précision, desserrez les boulons C et F afin d'ajuster la hauteur, la profondeur et l'inclinaison. Resserrez tous les boulons aux spécifications demandées et testez les fonctions du dossier et le déblocage rapide.

Pour des ajustements plus importants, desserrez les boulons G, C et F (Fig. 8, 9) sans les retirer, puis positionnez le dossier à la hauteur, profondeur et inclinaison désirées. Resserrez tous les boulons aux spécifications demandées et testez les fonctions du dossier et le déblocage rapide.

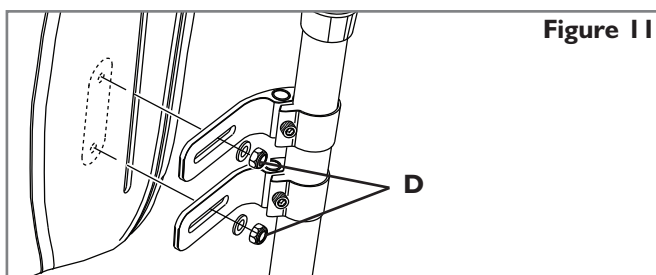
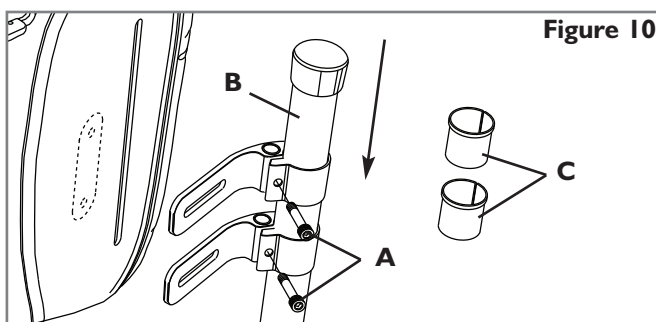
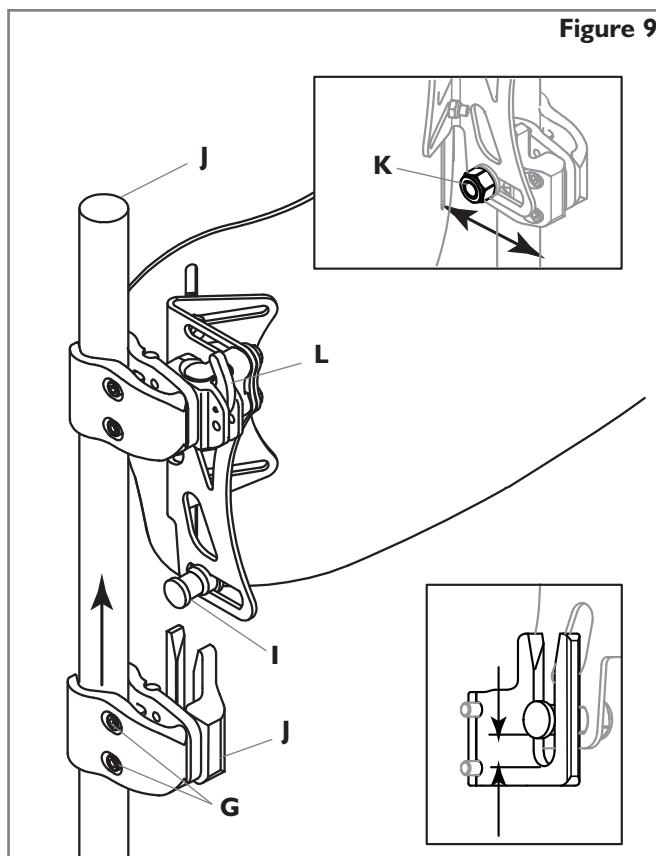
INSTALLATION DE LA FIXATION DU SUPPORT LÉGER (FIG. 10, 11)

1. Desserrez le boulon (A) de chaque support.
2. Glissez les quatre supports le long des tubes de l'armature du dossier (B).

REMARQUE : le support léger est livré avec des rondelles optionnelles (C) à utiliser le cas échéant sur les montants du dossier, de diamètre inférieur à 2,5 cm.

3. Installez le dossier sur le support léger en utilisant les boulons (D).
4. Ajustez la hauteur et la position du dossier en serrant.

REMARQUE : pour les tubes de l'armature du dossier disposant de poignées de poussée intégrées ou fixées de façon permanente, il peut être nécessaire de retirer les tubes de l'armature du dossier et de laisser glisser le support de montage vers le bas.



RÉGLAGE EN HAUTEUR, EN PROFONDEUR ET EN LARGEUR DU DOSSIER J3

La première phase de l'installation du dossier J3 est terminée. Il est temps d'asseoir l'utilisateur à nouveau pour personnaliser l'installation du dossier J3. Le dos de l'utilisateur ne doit pas reposer complètement et ne doit pas appliquer une pression maximale sur le dossier étant donné que les spécifications du couple de serrage ne sont pas remplies.

1. Réglage en hauteur (Fig. 12)

- L'utilisateur étant installé dans le fauteuil, déterminez la hauteur du dossier requise. Une fois que vous avez déterminé cette hauteur, demandez à l'utilisateur de relâcher la pression sur le dossier J3 en se penchant ou glissant vers l'avant, si possible, pour permettre le réglage.
- Désérrez les écrous des pinces de fixation (A) et ajustez la hauteur de la coquille de dossier à la position requise.
- Serrez les écrous de la pince de manière sûre (A). Les spécifications de couple de serrage recommandées sont de 8,5 - 9,3 Nm (75 - 85 in-lbs).

REMARQUE - Une fois le réglage en hauteur terminé, vérifiez que vous n'avez pas modifié la largeur par inadvertance.

2. Réglage de la profondeur et de l'angle d'assise.

(Figs. 13, 14, 15, 16)

Veillez noter que deux types de matériels de fixation sont disponibles en commande : le matériel standard (Fig. 13) ou le matériel escamotable (Fig. 14). Les deux jeux de fixation sont réglés de la même façon, mais le système standard permet un réglage en hauteur de 5 cm (Fig. 13) tandis que le système escamotable (réglable en longueur) permet un réglage en profondeur de 1,9 cm (Fig. 14).

- Pour ajuster la profondeur et l'inclinaison du dossier J3, désérrez les boulons gauche et droit (Fig. 16-B) dans les fentes de la pince de fixation.
- Régalez la hauteur et/ou l'angle et serrez fermement. Les spécifications de couple de serrage sont de 11,3 - 12,4 Nm (100 - 110 in-lbs). Assurez-vous qu'aucun écrou de réglage en profondeur (Fig 16-B) ne glisse ou ne tourne à vide.
- Si vous avez besoin de plus de profondeur, désengagez le dossier des pinces de fixation. Enlevez les vis (Figs. 13-D, 14-D) des pinces de fixation à l'aide de la clé alène de 4 mm fournie, et repositionnez à la profondeur voulue. Serrez les vis à 2,8 - 4 Nm (25 - 35 in-lbs).

⚠ AVERTISSEMENT

Assurez-vous que toutes les fixations sont serrées une fois tous les réglages effectués et lorsque le dossier J3 est prêt à l'emploi.

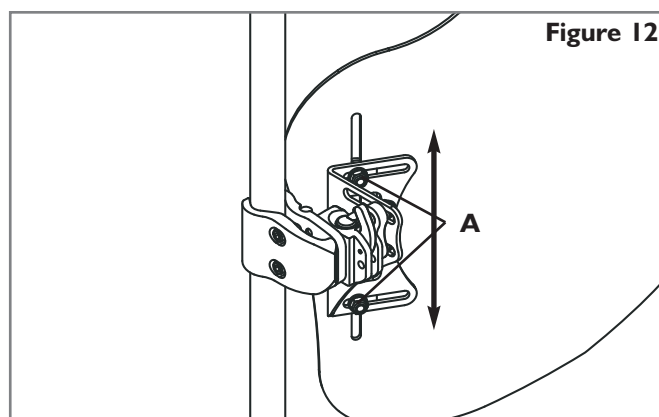


Figure 12

Matériel standard - 2 réglages en profondeur possibles

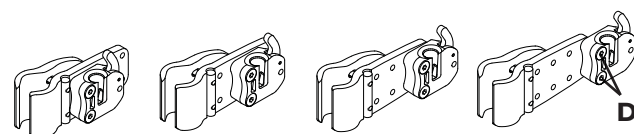


Profondeur 1

Profondeur 2

Figure 13

Système de fixation (escamotable)



Profondeur 1

Profondeur 2

Profondeur 3

Profondeur 4

Figure 14

Rails inférieurs des quatre points de fixation

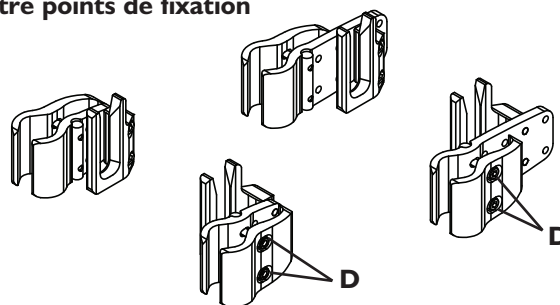


Figure 15

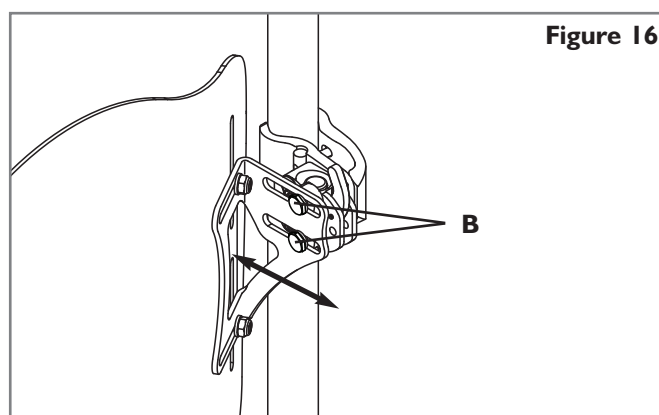


Figure 16

FIXATION DU RABAT DE PROTECTION

1. Soulevez le rabat supérieur de la housse du dossier J3 (Fig. 17)
2. Fixez le velcro du rabat de protection à la housse du dossier J3 (Fig. 17). Repositionnez le rabat supérieur pour fixer le rabat de protection entre le rabat supérieur et le rabat inférieur (Fig. 18).
3. Retirez le coussin du siège du fauteuil et placez « l'extrémité » du rabat de protection entre la surface de soutien du fauteuil roulant et le coussin du siège (Fig. 20).
4. Ajustez le rabat de protection sous le coussin du siège en déplaçant l'extrémité vers l'intérieur ou l'extérieur au besoin. Si nécessaire, la partie supérieure du rabat de protection peut également être déplacée vers le haut ou vers le bas sur le dossier du siège.
5. Passez les sangles velcro à travers les œillets prévus à cet effet sur le rabat de protection, puis passez-les autour de l'armature du fauteuil. Finalement, passez l'extrémité avant de la sangle dans la fente située à l'autre extrémité (Fig. 21). Serrez pour qu'il n'y ait plus d'écart à l'extérieur dans le rabat de protection (Fig. 22).



Figure 17



Figure 18



Figure 19



Figure 20



Figure 21



Figure 22



Figure 23

Installation du rabat de protection J3 terminée

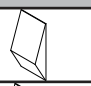
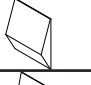
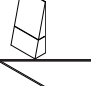
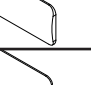

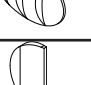

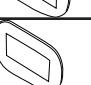

COMPOSANTS POUR LE POSITIONNEMENT

Les éléments de positionnement pour un alignement lombaire sont conçus pour fournir un dossier « clé en main » en proposant un soutien qui épouse les formes. (En fonction du marché, les éléments de positionnement pour un alignement lombaire pourront être fournis avec votre dossier). Pour l'installation de la cale lombaire, veuillez lire les instructions ci-dessous.

1. Installation des éléments de positionnement pour un alignement lombaire.

- L'utilisateur ne doit pas appliquer de pression sur le dossier J3. Pour cela, il pourra glisser ou se pencher légèrement vers l'avant.
- Détachez la partie Velcro de la partie supérieure de la housse (Fig. 11) et retournez-la sur la face avant du dossier J3.
- Placez la cale lombaire sur la partie Velcro à l'intérieur de la coquille (Fig. 12) et rabattez la partie supérieure de la housse. Tirez vers le bas en vous assurant que la couture supérieure est alignée avec la partie supérieure de la coquille. Si la couture n'est pas alignée, on pourra relâcher le pan inférieur de la housse (Fig. 13).
- Demandez à l'utilisateur de tester la configuration générale des éléments de positionnement pour un alignement lombaire pour vous assurer de son confort et répétez les étapes a-c jusqu'à ce que le réglage soit terminé.
- Plusieurs configurations et combinaisons d'éléments de soutien lombaire sont possibles. Si vous avez besoin de formes et de tailles d'éléments de positionnement pour un alignement lombaire supplémentaires, veuillez prendre contact avec votre distributeur.

REMARQUE – Si vous avez besoin d'informations supplémentaires concernant le dispositif de soutien lombaire J3, pensez à regarder notre animation sur le site www.sunrisemedical.com.

Éléments de positionnement lombaire	
Lombaire large	
Petit lombaire	
Cale	
Coquille convexe	
Coquille plate	
Cale pour la stabilisation postérieure/latérale du bassin	
Courbure latérale	
Grand sac d'équilibre	
Petit sac d'équilibre	

L'installation du dossier J3 est terminée.

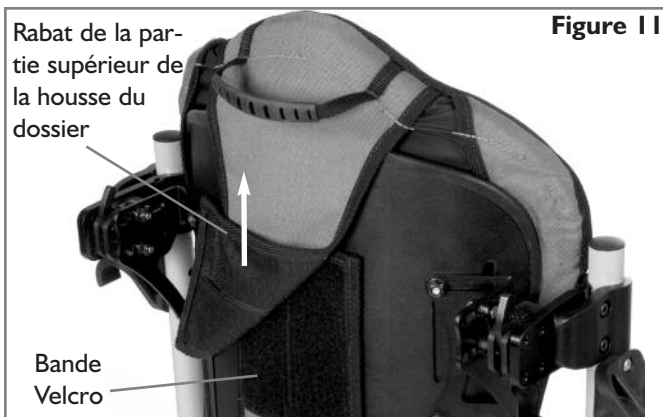


Figure 11



Figure 12

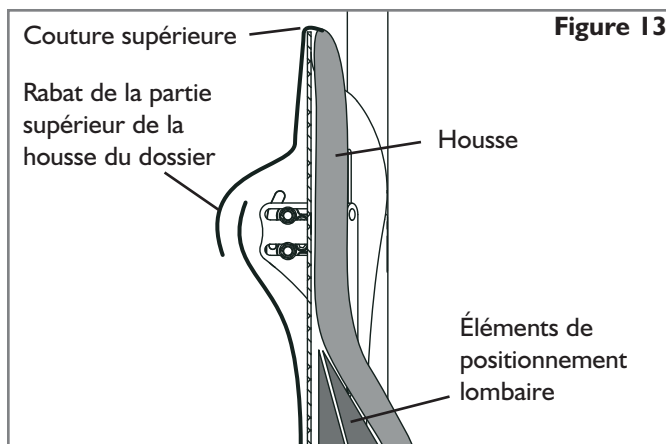


Figure 13

ACCESSOIRES J3

Si vous avez commandé des accessoires J3 comme une cale latérale, un appui-tête ou un harnais, nous vous conseillons de lire les instructions de montage de ces articles.

LE DOSSIER J3 ADAPTÉ POUR LA SÉCURITÉ À L'ARRIÈRE D'UN VÉHICULE

Le dossier J3 a été testé dynamiquement pour une utilisation dans un véhicule. Veuillez suivre toutes les instructions de montage, d'emploi et d'entretien contenues dans ce manuel, ainsi que les instructions relatives au transport listées ci-dessous.

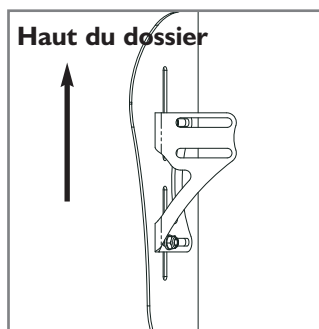
⚠ AVERTISSEMENT

1. Dans la mesure du possible, l'utilisateur doit prendre place dans le siège du véhicule et utiliser la ceinture de sécurité du véhicule.
2. La distance entre le haut de l'épaule de l'utilisateur et le haut du dossier ne doit pas dépasser 16,5 cm.
3. Le fauteuil roulant doit porter une étiquette d'homologation attestant que l'équipement peut être utilisé comme siège dans un véhicule automobile, a subi un test dynamique suivant la norme ISO 7176-19, et a été installé, utilisé et entretenu suivant les instructions du constructeur.
4. Si le siège d'origine du fauteuil roulant a été remplacé, la nouvelle assise doit être certifiée pour le transport d'un fauteuil roulant, installé et utilisé conformément aux instructions du fabricant.
5. Le dispositif d'arrimage du fauteuil roulant et le dispositif de sécurité des passagers sur fauteuil roulant doivent être compatibles avec le fauteuil roulant, et utilisés suivant les instructions du fabricant, conformément aux exigences de performance de la norme ISO 10542.
6. Le fauteuil roulant doit être orienté dans le sens de la marche du véhicule.
7. Afin de réduire les risques de blessure aux occupants, il faut enlever les accessoires montés sur le fauteuil.
8. Ce produit est destiné aux adultes dont le poids peut aller de 36 à 136 kilos ou jusqu'à 227 kg (500 lb) pour les largeurs supérieures à 56 cm (22 po).

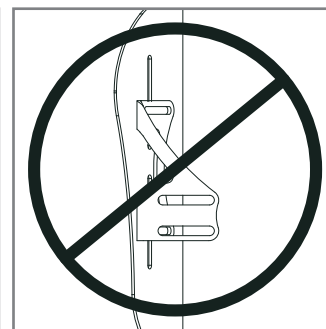
9. Les dispositifs de soutien postural comme les ceintures d'aide au positionnement du bassin, les cales lombaires, ou les cales latérales de soutien du tronc ne tiennent pas lieu de dispositif de sécurité dans un véhicule mobile à moins qu'ils ne portent une étiquette d'homologation attestant de leur conformité à la norme ISO 16840-4.

10. Les pièces ou composants de la structure ne doivent pas être modifiés sans l'avis du fabricant.

11. Le support de fixation à l'arrière du dossier doit être en "position haute" pour le transport. (voir ci-dessous.) Consultez la section appropriée pour obtenir les instructions de montage des éléments de fixation du dossier.



Orientation du support d'inclinaison correcte pour le transport



Orientation du support d'inclinaison incorrecte pour le transport

⚠ AVERTISSEMENT

LE NON-RESPECT DE CES AVERTISSEMENTS PEUT ENTRAÎNER DES BLESSURES GRAVES POUR L'OCCUPANT DU FAUTEUIL ROULANT ET POUR LES AUTRES PERSONNES.

Voir la prochaine page pour des numéros de référence approuvés pour utilisation dans un véhicule à moteur.

NUMÉROS DE RÉFÉRENCE DE PRODUITS APPROUVÉS POUR UTILISATION DANS UN VÉHICULE À MOTEUR

Dossiers

Numéros de référence UT approuvés pour utilisation dans un véhicule à moteur.*

J3PAUTS14SH	J3PLUTS16SH	J3PDLUTS18SH	J3PAUTS14FS	J3PLUTT14FS	J3PDLUTT16FS
J3PAUTM14SH	J3PLUTM16SH	J3PDLUTM18SH	J3PAUTM14FS	J3PLUTS16FS	J3PDLUTS18FS
J3PAUTT14SH	J3PLUTT16SH	J3PDLUTT18SH	J3PAUTT14FS	J3PLUTM16FS	J3PDLUTM18FS
J3PAUTS16SH	J3PLUTS18SH	J3PDLUTS20SH	J3PAUTS16FS	J3PLUTT16FS	J3PDLUTT18FS
J3PAUTM16SH	J3PLUTM18SH	J3PDLUTM20SH	J3PAUTM16FS	J3PLUTS18FS	J3PDLUTS20FS
J3PAUTT16SH	J3PLUTT18SH	J3PDLUTT20SH	J3PAUTT16FS	J3PLUTM18FS	J3PDLUTM20FS
J3PAUTS18SH	J3PLUTS20SH	J3PAUTS12SH	J3PAUTS18FS	J3PLUTT18FS	J3PDLUTT20FS
J3PAUTM18SH	J3PLUTM20SH	J3PLUTS12SH	J3PAUTM18FS	J3PLUTS20FS	J3PDCUTM14FS
J3PAUTT18SH	J3PLUTT20SH	J3PAUTM24FS	J3PAUTT18FS	J3PLUTM20FS	J3PDCUTM16FS
J3PAUTS20SH	J3PDLUTS14SH	J3PAUTM22FS	J3PAUTS20FS	J3PLUTT20FS	J3PDCUTM18FS
J3PAUTM20SH	J3PDLUTM14SH	J3PDCUTM14SH	J3PAUTM20FS	J3PDLUTS14FS	J3PDCUTM20FS
J3PAUTT20SH	J3PDLUTT14SH	J3PDCUTM16SH	J3PAUTM20FS	J3PDLUTM14FS	
J3PLUTS14SH	J3PDLUTS16SH	J3PDCUTM18SH	J3PLUTS12FS	J3PDLUTT14FS	
J3PLUTM14SH	J3PDLUTM16SH	J3PDCUTM20SH	J3PLUTS14FS	J3PDLUTS16FS	
J3PLUTT14SH	J3PDLUTT16SH	J3PAUTS12FS	J3PLUTM14FS	J3PDLUTM16FS	

Numéros de référence SH approuvés pour utilisation dans un véhicule à moteur.*

J3PASHM16SH	J3PLSHM16SH	J3PDLSHM18SH	J3PASHM16FS	J3PLSHM18FS	J3PDLSHS20FS
J3PASHS14SH	J3PLSHS18SH	J3PDLSHT18SH	J3PASHS18FS	J3PLSHT18FS	J3PDLSHM20FS
J3PASHS16SH	J3PLSHM18SH	J3PDLSHS20SH	J3PASHM18FS	J3PLSHS20FS	J3PDLSHT20FS
J3PASHS18SH	J3PLSHT18SH	J3PDLSHM20SH	J3PASHT18FS	J3PLSHM20FS	J3PDCSHS16FS
J3PASHM18SH	J3PLSHS20SH	J3PDLSHT20SH	J3PASHS20FS	J3PLSHT20FS	J3PDCSHS18FS
J3PASHT18SH	J3PLSHM20SH	J3PASHS22FS	J3PASHM20FS	J3PDLSHS14FS	J3PDCSHS20FS
J3PASHS20SH	J3PLSHT20SH	J3PDCSHS16SH	J3PASHT20FS	J3PDLSHS16FS	
J3PASHM20SH	J3PDLSHS14SH	J3PDCSHS18SH	J3PLSHS14FS	J3PDLSHM16FS	
J3PASHT20SH	J3PDLSHS16SH	J3PDCSHS20SH	J3PLSHS16FS	J3PDLSHS18FS	
J3PLSHS14SH	J3PDLSHM16SH	J3PASHS14FS	J3PLSHM16FS	J3PDLSHM18FS	
J3PLSHS16SH	J3PDLSHS18SH	J3PASHS16FS	J3PLSHS18FS	J3PDLSHT18FS	

Numéros de référence MT approuvés pour utilisation dans un véhicule à moteur.*

J3PAMTS12SH	J3PAMTT22FS	J3PAMTS12LM	J3PAMTM18LM	J3PLMTT14LM	J3PDCMTS14LM
J3PAMTM12SH	J3PAMTS22FS	J3PAMTM12LM	J3PAMTT18LM	J3PLMTS16LM	J3PDCMTT14LM
J3PAMTT12SH	J3PDCMTS14SH	J3PAMTT12LM	J3PAMTS20LM	J3PLMTM16LM	J3PDCMTS16LM
J3PLMTS12SH	J3PDCMTT14SH	J3PAMTS14LM	J3PAMTM20LM	J3PLMTT16LM	J3PDCMTT16LM
J3PLMTM12SH	J3PDCMTS16SH	J3PAMTM14LM	J3PAMTT20LM	J3PLMTS18LM	J3PDCMTS18LM
J3PLMTT12SH	J3PDCMTT16SH	J3PAMTT14LM	J3PLMTS12LM	J3PLMTM18LM	J3PDCMTT18LM
J3PAMTT26FS	J3PDCMTS18SH	J3PAMTS16LM	J3PLMTM12LM	J3PLMTT18LM	J3PDCMTS20LM
J3PAMTS26FS	J3PDCMTT18SH	J3PAMTM16LM	J3PLMTT12LM	J3PLMTS20LM	J3PDCMTT20LM
J3PAMTT24FS	J3PDCMTS20SH	J3PAMTT16LM	J3PLMTS14LM	J3PLMTM20LM	
J3PAMTS24FS	J3PDCMTT20SH	J3PAMTS18LM	J3PLMTM14LM	J3PLMTT20LM	

Numéros de référence MT approuvés pour utilisation dans un véhicule à moteur.*

J3PALTM12SH	J3PDCLTT16SH	J3PALTT12LM	J3PALTM16LM	J3PALTT20LM	J3PDCLTM18LM
J3PALTT12SH	J3PDCLTM18SH	J3PALTS14LM	J3PALTT16LM	J3PDCLTM14LM	J3PDCLTT18LM
J3PDCLTM14SH	J3PDCLTT18SH	J3PALTM14LM	J3PALTS18LM	J3PDCLTT14LM	J3PDCLTT20LM
J3PDCLTT14SH	J3PDCLTT20SH	J3PALTT14LM	J3PALTM18LM	J3PDCLTM16LM	
J3PDCLTM16SH	J3PALTM12LM	J3PALTS16LM	J3PALTT18LM	J3PDCLTT16LM	

*Les numéros de référence indiqués se terminant par "SH" et les numéros se terminant par "AH" sont approuvés pour utilisation dans un véhicule à moteur.

Appuis-tête

Appuis-tête JAY J3 qui ont fait l'objet de tests dynamiques en vue de leur utilisation dans un véhicule à moteur.

REMARQUE - Les appuis-tête en velours de 14 po n'ont pas fait l'objet de tests en vue de leur utilisation dans un véhicule à moteur. En conséquence, il est impossible de connaître précisément la performance des appuis-tête combinés avec les dossiers étiquetés conformes pour le transport et utilisés comme sièges dans un véhicule à moteur.

Numéros de référence des appuis-tête J3 de JAY approuvés pour utilisation dans un véhicule à moteur.

J3HEDX10	ART-Headrest, 10" Pad, AXYS	J3HEDC10	ART-Headrest, 10" Pad, Cobra	J3HEDF10	ART-Headrest, 10" Pad, CobraFB
J3HEDX8	ART-Headrest, 8" Pad, AXYS	J3HEDC8	ART-Headrest, 8" Pad, Cobra	J3HEDF8	ART-Headrest, 8" Pad, CobraFB
J3HEDXPM	ART-Headrest, Md C-Plu Pad, AXYS	J3HEDCPM	ART-Headrest, Md CPlu Pad, Cobra	J3HEDFPM	ART-Headrest, Md C-Pad, CobraFB
J3HEDXP	ART-Headrest, Lg C-Plu Pad, AXYS	J3HEDCPL	ART-Headrest, Lg CPlu Pad, Cobra	J3HEDFPL	ART-Headrest, Lg C-Pad, CobraFB
J3HEDXC	ART-Headrest, Lg Cradle, AXYS	J3HEDCCL	ART-Headrest, Lg Cradle, Cobra	J3HEDFCL	ART-Headrest, Lg Cradle, CobraFB
J3HEDXCM	ART-Headrest, Md Cradle, AXYS	J3HEDCCM	ART-Headrest, Md Cradle, Cobra	J3HEDFCM	ART-Headrest, Md Cradle, CobraFB

DEPOSE ET REMISE EN PLACE

Après l'installation et le réglage, le dossier peut être facilement enlevé du fauteuil en cas de besoin. Pour enlever le dossier, poussez chaque levier de fixation vers l'avant (Fig. 27). Une fois que les deux leviers sont poussés vers l'avant, relevez simplement le dossier (Fig. 28), en utilisant la poignée située en haut du dossier.

Réinstallation correcte après dépose

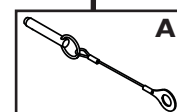
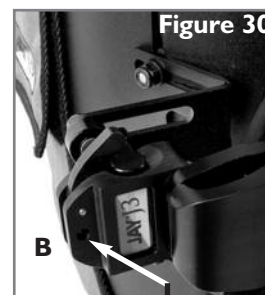
Pour fixer à nouveau le dossier aux pinces de fixation, il suffit d'aligner les goupilles avec les pinces de fixation et d'appuyer sur l'ensemble pour qu'il reprenne sa place (Fig. 28). Si les goupilles sont insérées correctement, elles reprendront leur place et seront verrouillées avec un petit clic.

⚠ AVERTISSEMENT

Si vous n'êtes pas certain d'avoir entendu le clic de verrouillage, tirez le dossier en utilisant la poignée pour vous assurer qu'elle a été verrouillée correctement.

Goupilles de verrouillage (Fig. 30)

Le dossier J3 est fourni avec deux goupilles de verrouillage, qui, une fois verrouillées, empêchent le dossier de se désengager du fauteuil. Pour verrouiller, insérez la goupille (A) dans la pince de fixation (B). Il suffit d'enlever les goupilles pour obtenir une fonction rapide de désengagement de l'ensemble.



GARANTIE

GARANTIE LIMITÉE DE 24 MOIS

Chaque dossier J3 est méticuleusement inspecté et testé afin d'assurer une performance optimale. Chaque dossier J3 est garanti contre tout vice de matériau et de fabrication pour une période de 24 mois à compter de la date d'achat, sous réserve d'usage normal. En cas de défaut de matériau ou de fabrication constaté dans les 24 mois suivant la date d'achat initiale, Sunrise Medical, à sa discrétion, réparera ou remplacera le produit et ce, gratuitement. La présente garantie ne s'applique ni aux perforations, déchirures ou brûlures, ni à la housse amovible du dossier.

Toute réclamation ou demande de réparation doit être traitée par le fournisseur agréé le plus proche. À l'exception des garanties expresses offertes dans les présentes, toutes les autres garanties, y compris les garanties tacites de qualité marchande et d'adéquation à un usage particulier sont exclues. Aucune garantie ne s'étend au-delà de la description qu'elle contient. Les recours en cas de rupture des garanties expresses énoncées dans les présentes sont limités à la réparation ou au remplacement des produits. En aucun cas les dommages-intérêts pour rupture de garantie ne devront inclure de dommages indirects ni dépasser le coût de produits non conformes qui ont été vendus.

Sunrise Medical Inc. • 2842 Business Park Ave. • Fresno, CA 93727 • USA
In Canada (800) 263-3390



Customer Service: 800.333.4000
www.SunriseMedical.com

©2010 Sunrise Medical (US) LLC
07.10 103721 Rev. D