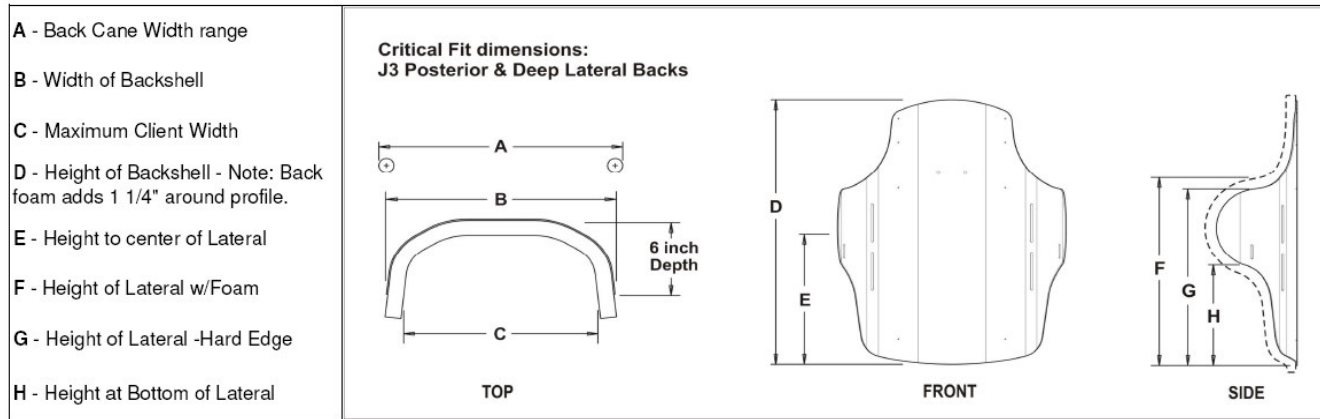


# J3 Back Fixed Lateral Fit Guide



PL / PDL Support Position	Support Size	Backrest Width	Part Number	Dim A	Dim B	Dim C	Dim D	Dim E	Dim F	Dim G	Dim H
Upper Thoracic	Standard	14"	J3PDLUTS14	13 3/4" - 16 1/4"	13"	10 1/2"	16 1/2"	10 1/2"	14 1/2"	13 1/4"	7 1/2"
		16"	J3PDLUTS16	15 3/4" - 18 1/4"	15"	12 1/2"					
		18"	J3PDLUTS18	17 3/4" - 20 1/4"	17"	14 1/2"					
		20"	J3PDLUTS20	19 3/4" - 22 1/4"	19"	16 1/2"					
	Medium	14"	J3PDLUTM14	13 3/4" - 16 1/4"	13"	10 1/2"	18"	11 1/2"	16"	14 3/4"	8 1/4"
		16"	J3PDLUTM16	15 3/4" - 18 1/4"	15"	12 1/2"					
		18"	J3PDLUTM18	17 3/4" - 20 1/4"	17"	14 1/2"					
		20"	J3PDLUTM20	19 3/4" - 22 1/4"	19"	16 1/2"					
	Tall	14"	J3PDLUTT14	13 3/4" - 16 1/4"	13"	10 1/2"	19 1/2"	12 1/2"	17 1/4"	16"	9 1/4"
		16"	J3PDLUTT16	15 3/4" - 18 1/4"	15"	12 1/2"					
		18"	J3PDLUTT18	17 3/4" - 20 1/4"	17"	14 1/2"					
		20"	J3PDLUTT20	19 3/4" - 22 1/4"	19"	16 1/2"					
Shoulder Height	Standard	14"	J3PDLSHS14	13 3/4" - 16 1/4"	13"	10 1/2"	21"	10 1/4"	15 1/4"	14"	8"
		16"	J3PDLSHS16	15 3/4" - 18 1/4"	15"	12 1/2"					
		18"	J3PDLSHS18	17 3/4" - 20 1/4"	17"	14 1/2"					
		20"	J3PDLSHS20	19 3/4" - 22 1/4"	19"	16 1/2"					
	Medium	16"	J3PDLSHM16	15 3/4" - 18 1/4"	15"	12 1/2"	22 1/2"	11 1/2"	16 1/2"	15 1/4"	8 3/4"
		18"	J3PDLSHM18	17 3/4" - 20 1/4"	17"	14 1/2"					
		20"	J3PDLSHM20	19 3/4" - 22 1/4"	19"	16 1/2"					
	Tall	18"	J3PDLSHT18	17 3/4" - 20 1/4"	17"	14 1/2"	24"	12 1/4"	18"	16 3/4"	9 1/2"
		20"	J3PDLSHT20	19 3/4" - 22 1/4"	19"	16 1/2"					