



Rumba® modular



Rumba® modular

Adjustable, adaptable, modular options



Excellent indoor maneuverability

The Rumba® Modular's compact base and tight turning circle make indoor driving safe and simple. Manoeuvring through tight spaces is safe and easy thanks to the Rumba® Modular's smooth drive, nimble performance and speed adjustable controller.

Excellent outdoor performance

Outdoor driving is safe and reliable with the Rumba® Modular. High performance motors and a programmable controller deliver a smooth yet powerful ride, whilst the well balanced folding frame design ensures safety, stability and user comfort across uneven ground.

Easy, adjustable comfort



Seat depth: 42 to 50 cm



**Seat width: 37 to 53 cm
(with width reduction pads)**

The Rumba® Modular is packed with adjustable features to suit individual user requirements. A range of seat widths from 37 cm to 53 cm can be accommodated and the backrest provides 42 cm to 50 cm of seat depth adjustment built into every chair.

Adjustments on the Rumba® Modular are quick and simple to make. From only two standard frame sizes healthcare professionals can tailor the chair to a client's individual requirements and with the range of modular options both comfort and clinical objectives can be achieved efficiently.



Back height: 48- 53 cm



**Reclining backrest and Power
or Manual elevating leg rests**

Available options:

- Powered or Manual Elevating leg rest
- Reclining backrest
- Tension adjustable backrest
- Sling headrest
- Anatomic headrest
- Comfort seating
- Kerb climber (removable)
- Swing-over tray table
- Tiller attendant control

Modular Options

The Rumba® Modular is available with a wide range of options including comfort, positioning and manual or powered options. All options are modular in design so adding them requires no complex alterations or additional parts, so not only adjusting but also reconfiguring the Rumba® Modular is simple and efficient.



Comfort seating



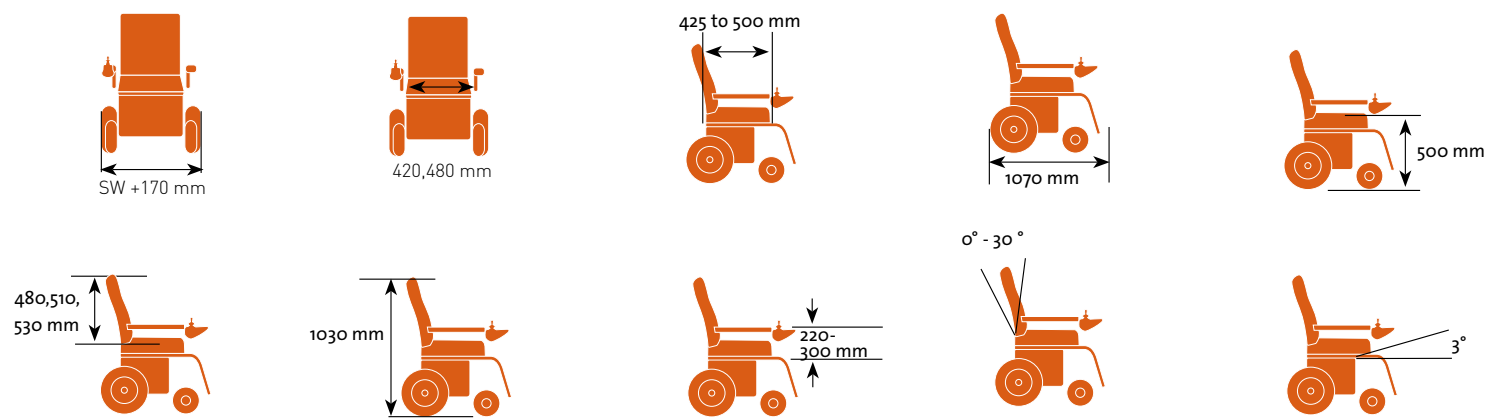
Tiller attendant control

Rumba® modular

Adjustable, adaptable, modular options



Technical specifications



Max. speed	6 kph	Max. safe slope:	8°
Batteries:	40 Ah / [50Ah]	Reversing width:	1050 mm
Colours:	black	Max. height of kerb which the powerchair can descend safely:	100 mm
Max. user weight:	125 kg	Max range:	30 km
Total weight (with batteries):	75 kg	Folded width:	min 350mm
Weight of heaviest part:	37.4 kg (frame)	Folded length:	1070 mm
Turning circle:	850 mm	Folded height:	940 mm

For further information on the full specification, options and accessories, please refer to the order form.
 All information is subject to change without notification. Please consult Sunrise Medical with any queries you may have.
 If you are visually impaired, this document can be viewed in PDF format at www.SunriseMedical.com or alternatively is available on request in large text.



Sunrise Medical GmbH & Co. KG

Kahlbachring 2-4
 69254 Malsch/HD
 Tel.: +49 (0) 72 53 / 9 80-0
 Fax: +49 (0) 72 53 / 9 80-111

www.SunriseMedical.com