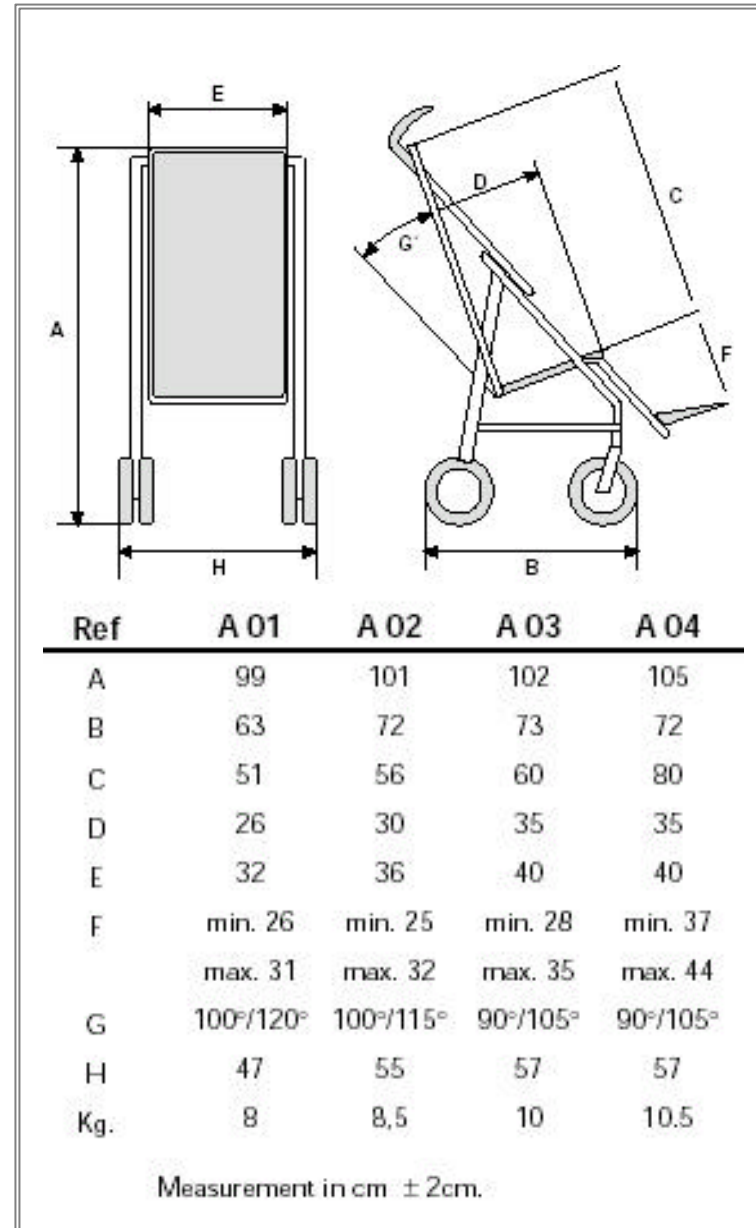


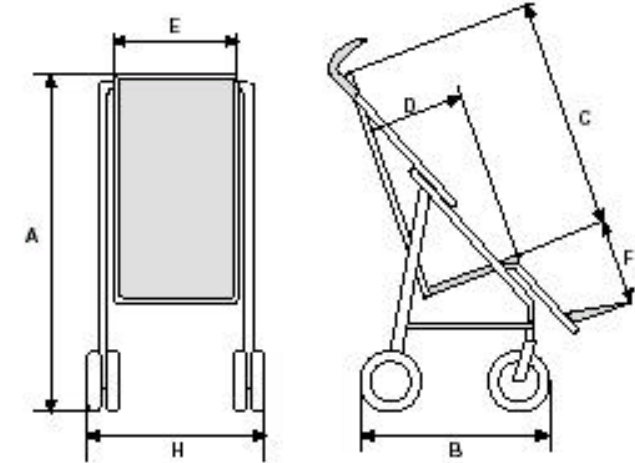


**Umbrella Reclining**





**Umbrella Fixed Back**



Ref	A 10
A	106
B	66
C	54
D	29
E	40
F	min. 31 max. 44
G	--
H	53
Kg.	8

Measurements in cm ± 2cm.