


zippie[®]
by QUICKIE



 **Simba**[™]

Fit for Adventures



Simba™

The lightest rigid chair
with growth adjustability

Zippie SIMBA™: your loyal friend!

SIMBA™ has a stylish open frame design that is 1.5 kg or 20% lighter than other similar models. It is easier to push and manoeuvre so you can remain active for longer throughout the day





The optional foot abductor gives you greater freedom of movement



Easy to adjust push handles

Growth

The wheelchair can be adapted to the growing user

- 4cm adjustment in depth without parts
- 2cm adjustment in width without parts and 10cm with additional part

Simba™ is designed to offer comfort and stability, ensuring you are happier, healthier and more mobile for longer



The safari skirt guard wheel lock lets you stop quickly and safely

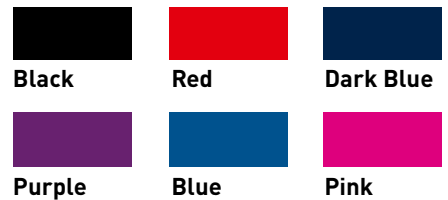


The optional fip-back footrest offers lots of legroom and easy transfers

Options

Simba™ offers you and your parents a wide range of options to have more comfort, freedom, fun and safety.

Six Upholstery Colours!



Twenty one frame colours!

You can even select a colour for each component.

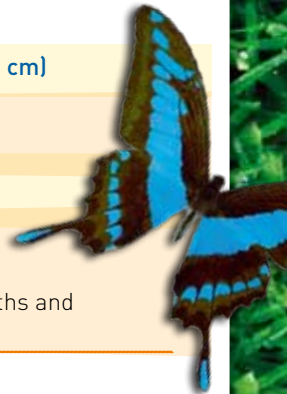
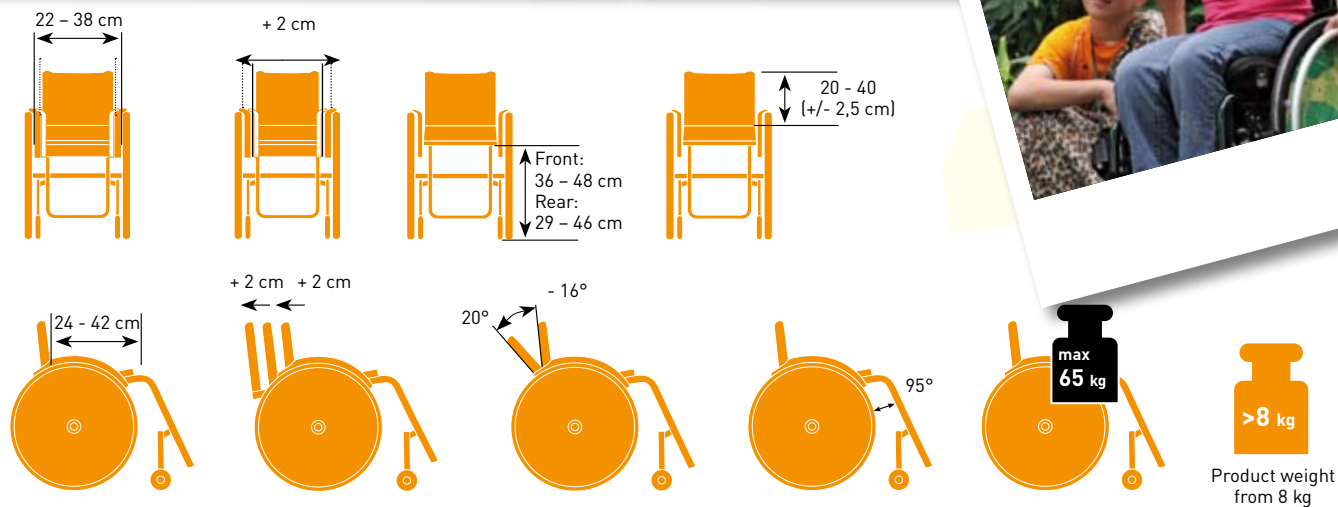
Cushions are always black

Spoke guards

There are 20 new spoke guard designs you can choose from. Here are 3 specifically designed for the SIMBA™! See the order form or our new spoke guard catalogue for more details.



Technical specification



Seat width range:	from 22 – 38 cm	Straight and Abduction frame (seat width + 1 cm)	
Seat depth range:	from 24 – 42 cm	Product weight:	from 8 kg
Back height:	from 20 – 40 cm (+/- 2,5 cm)	Max. user weight:	65 kg
Seat/leg angle:	95°	Growth: Seat width:	+2 cm without parts
		Seat depth:	+4 cm without parts
			With extra parts all widths and depths can be adjusted

Frame Colours

1 White RAL 9010	2 Silver	6 Sun Yellow	7 Lime	9 Candy Teal	12 Forrest Green	13 Flip Flop Blue/Green
14 Blue	15 Marine	18 Illusion Lapis	19 Purple	21 Ruby	22 Brilliant Red	24 Tutti Frutti Orange
25 Amethyst Fantasy	26 Silver texture	27 Graphite metallic	28 Platinum metallic	29 Black	30 Mystery	31 Pink

It is best to select colours using the metal colour plates that your dealer will have and to use the order form to finalise your desired colour scheme



Sunrise Medical Limited

High Street,
Wollaston, Stourbridge
West Midlands
DY8 4PS
Tel: +44 (0) 1384 44 66 66
Fax: +44 (0) 1384 44 66 44
www.SunriseMedical.com